

Marine Iridium Passive Antenna

MODEL: MA-680I



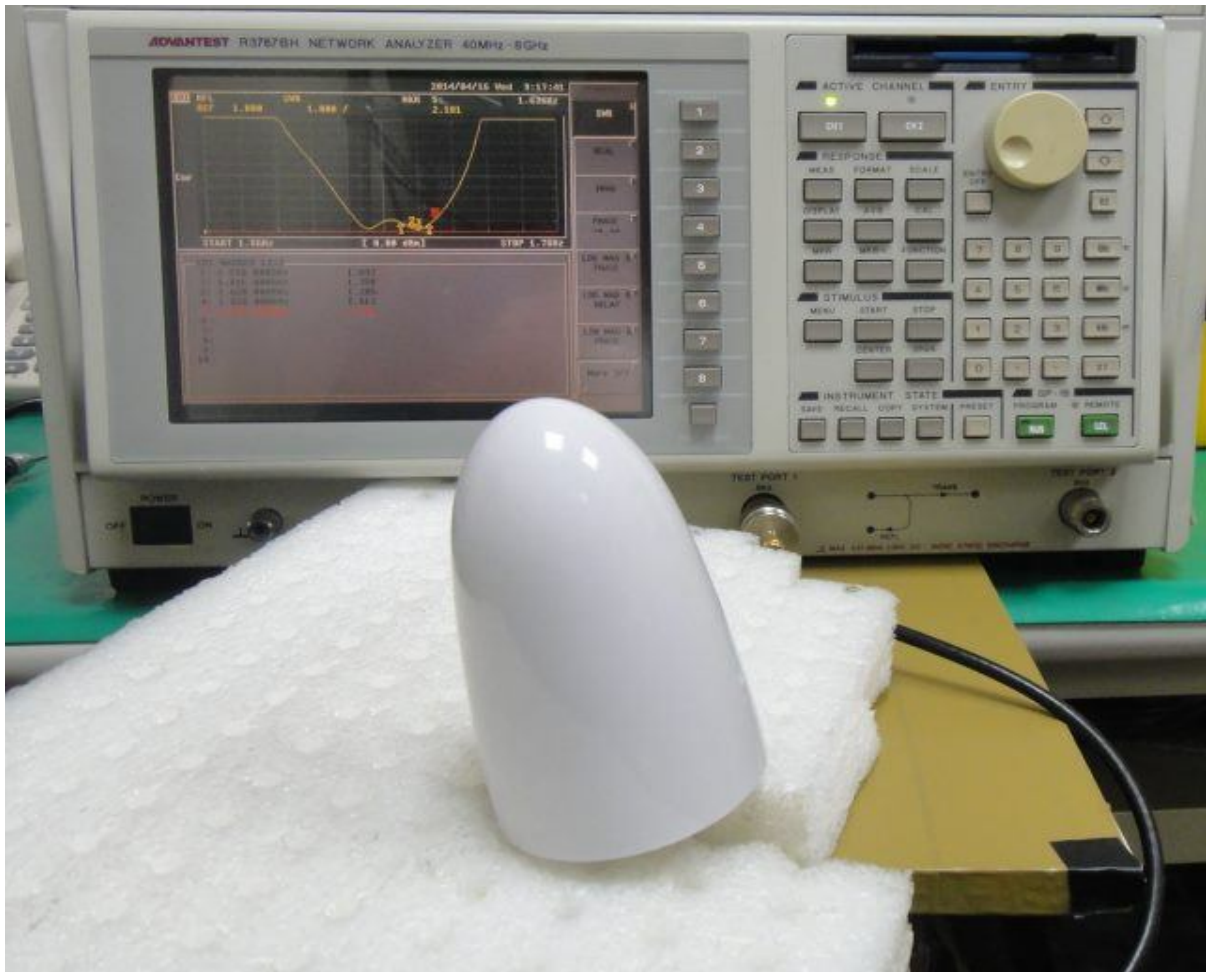
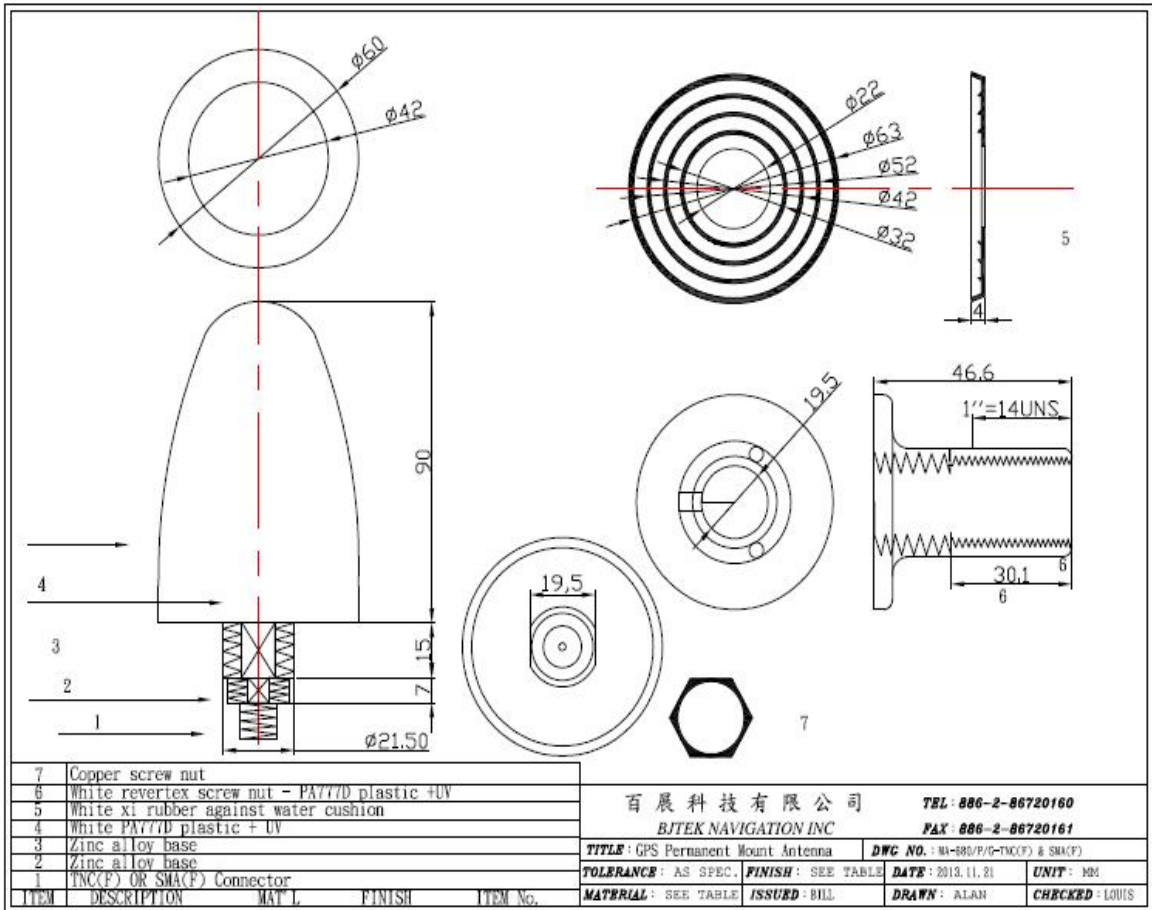
Antenna Size : 60mm(Dia) × 140mm(H)

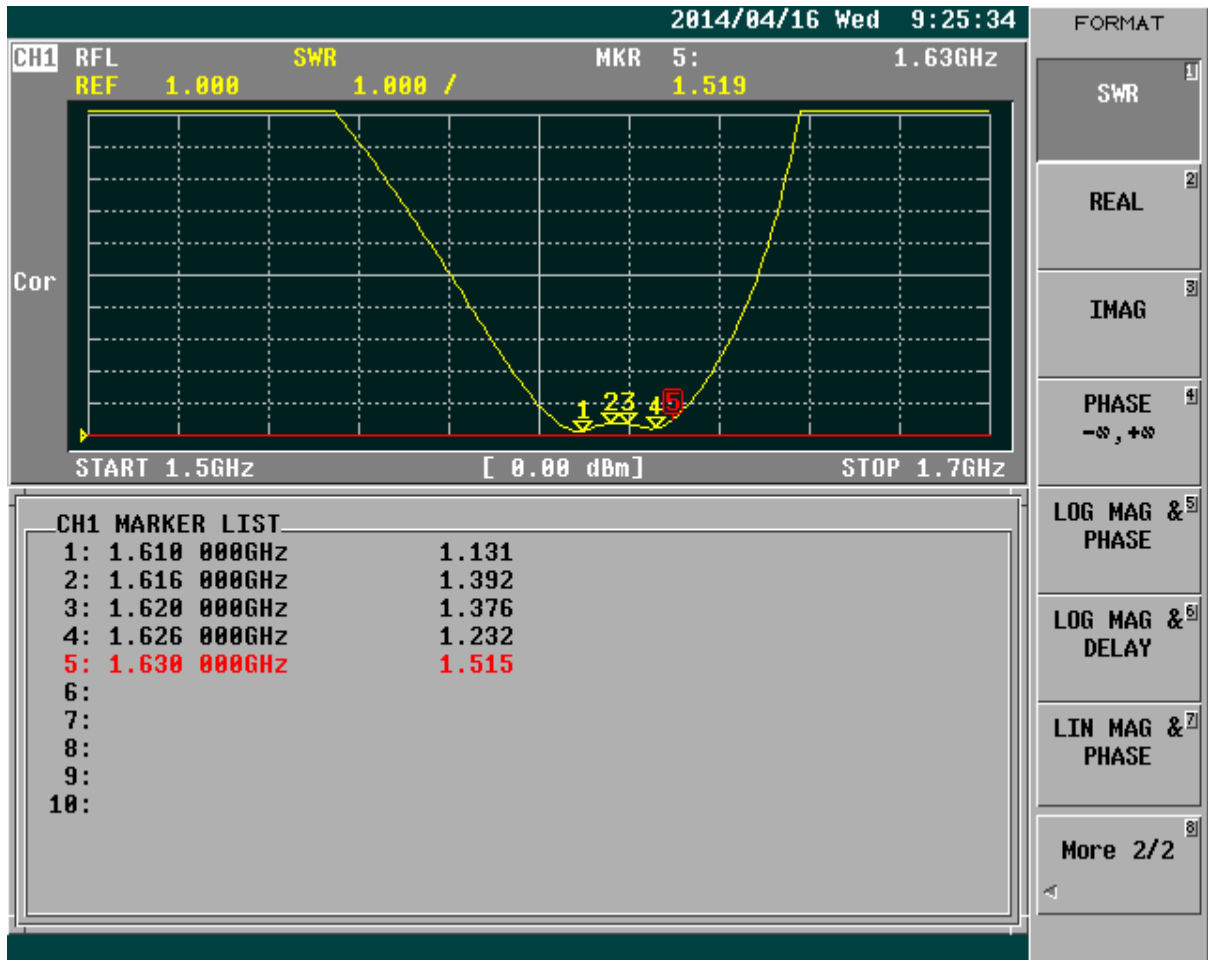
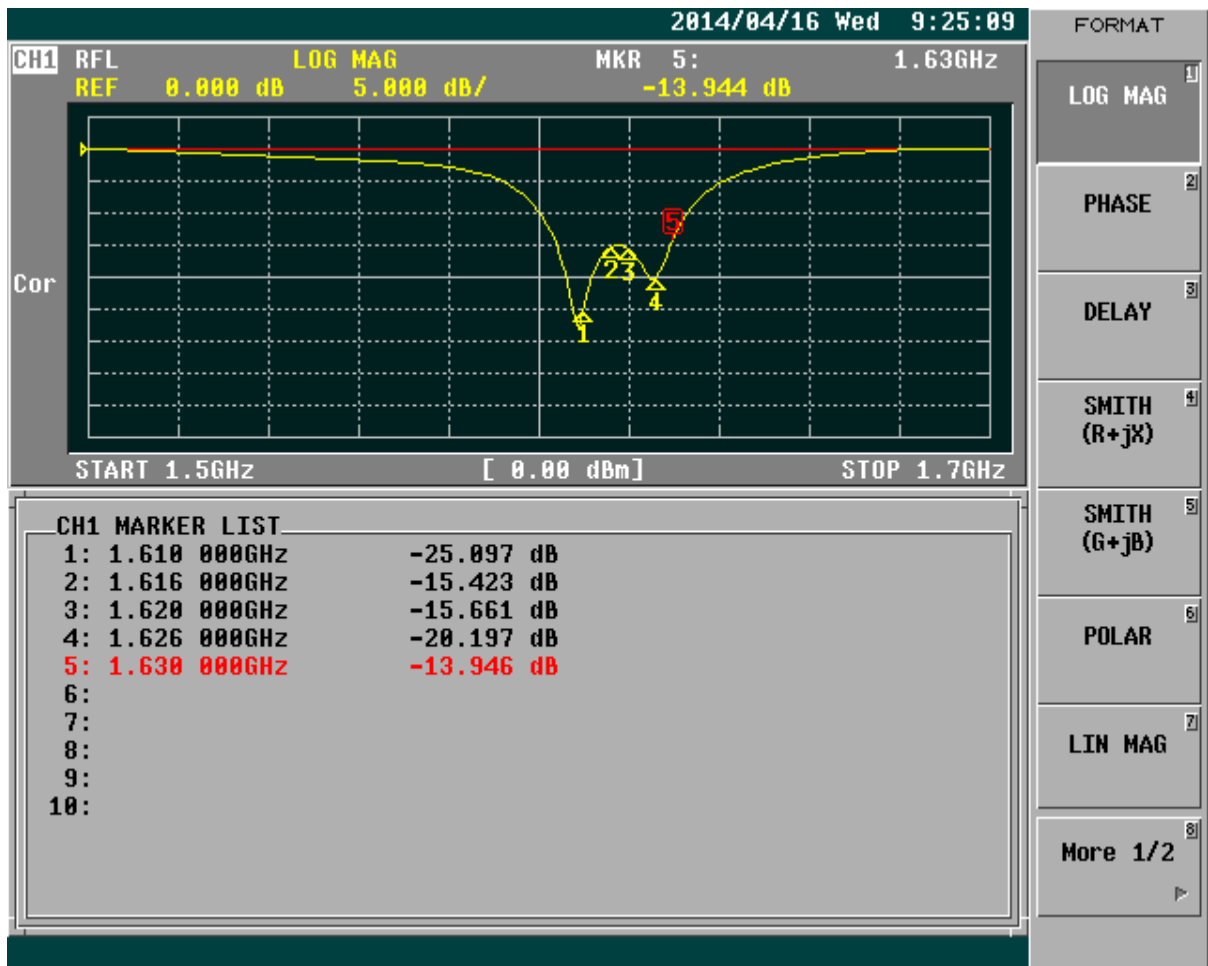
This series of Iridium antennas is specifically designed to provide excellent coverage in the 1610 to 1630 MHz range.

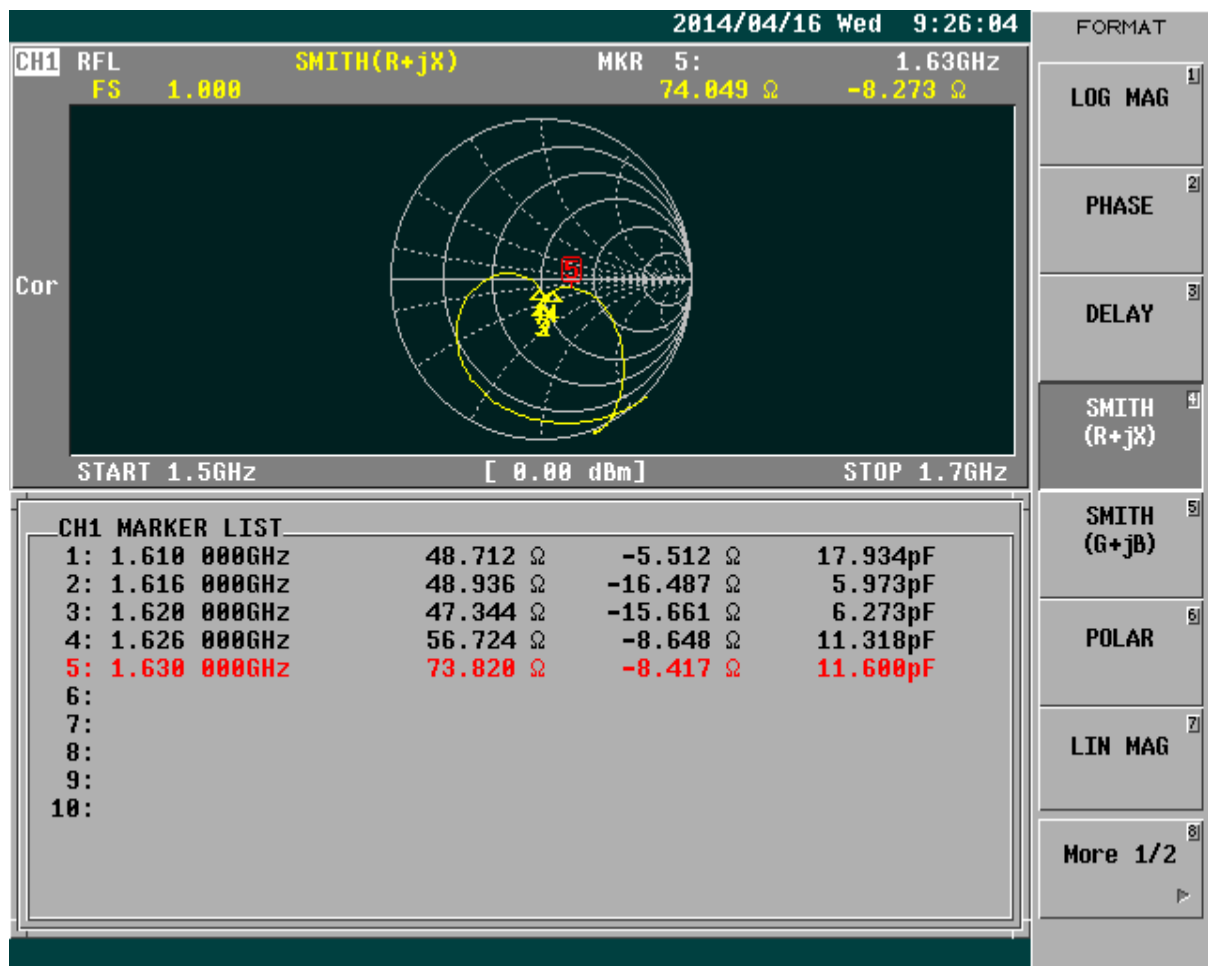
Specifications	
Antenna Element	
Center Frequency	1610-1630Mhz
Polarization	R.H.C.P. (Right Handed Circular Polarization)
Absolute Gain @ Zenith	+5 dBi typical Based on 70×70mm ground plane
Axial Ratio	3 dB max.
Output VSWR	1.5:1 Typ.
Output Impedance	50 ohm
Environmental Conditions	
Operating Temperature	-45°C to +100°C
Storage Temperature	-45°C to +100°C
Relative Humidity	40% to 95% non-condensing
Water Resistance	100% waterproof
Physical Constructions	
Dimensions	Antenna : 60mm(Dia.) × 140mm(H)
Weight	70 grams (without cable)
Mounting	Bulkhead mount with 0.8 inch threaded wing nut (standard accessory).
Mounting Adapters	Pole mount to 1"-14 UNS threaded mast
Base mounting	FB1 1"-14 UNS
Cable & Connector	
RF Cable	Without cable
Cable Pulling strength	12Kg for 5sec.
Connector available	SMA(F) / TNC(F)

* This specification is subject to change without prior notice

Data Updated: Apr 15, 2014

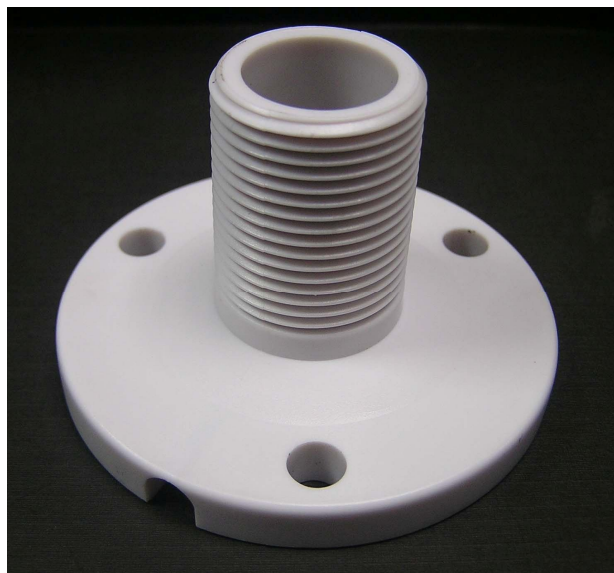






Marine Antenna Base mounting

MODEL: FB-1



1"-14 UNS threaded mast 25mm x 70mm x 43.8mm(H)

PA777D+UV

