

# Marine GPS/ VHF/UHF Antenna

**MODEL: GVU-620P**

**FOR Marine VHF Radio & GPS Navigation**



## GPS antenna Specifications: GA62P

Specifications	
<b>Antenna Element</b>	
Center Frequency	1575.42 MHz +/-1.023 MHz
Polarization	R.H.C.P. (Right Handed Circular Polarization)
Absolute Gain @ Zenith	+5 dBi typical Based on 70×70mm ground plane
Gain @ 10° Elevation	-1 dBi typical
Axial Ratio	3 dB max.
Output VSWR	1.5:1 Typ.
Output Impedance	50 ohm
<b>Low Noise Amplifier</b>	
Center Frequency	1575.42 MHz +/- 1.023 MHz
Power Gain	38db(3V) / 45db(5V) (Without cable +25°C±10°C)
Bandwidth	10 MHz min.
Noise Figure	1.6 Typ.
Outer Band Attenuation	20 dB min. @ Fo +/-50 MHz
Supply Voltages	3.0~5.0V DC
Current Consumption	21mA@ 3.0V DC,25mA@ 5.0V DC
VSWR	1.5 max.
Output Impedance	50 ohm
<b>Overall Performance: (antenna element, LNA &amp; coax cable)</b>	
Center Frequency	1575.42 MHz
Gain	38db(3V) / 45db(5V) (Without cable +25°C±10°C)
Noise Figure	2.0 max.
Bandwidth	10 MHz min.
Axial Ratio	3 dB max.
VSWR	1.5 max.
Output Impedance	50 ohm
<b>Environmental Conditions</b>	
Operating Temperature	-30°C to +80°C

Storage Temperature	-40°C to +100°C
Relative Humidity	40% to 95% non-condensing
Water Resistance	100% waterproof
<b>Physical Constructions</b>	
Dimensions	Antenna : 60mm(Dia.) × 18.5mm(H)
Weight	65 grams (without cable)
Standard Mounting	Bulkhead mount with 0.8 inch threaded wing nut (standard accessory).
<b>Cable &amp; Connector</b>	
RF Connector	SMA(F) or TNC(F)
Cable Pulling strength	6 Kg @ 5sec. molded plastic on connector end for strain relief.

## Marine UHF/VHF Dual Band Antenna

### MODEL: UVA-1400



This document provides a Sleeve Dipole Antenna design .

#### 1.. GENERAL DESCRIPTION

Model No	P/N
	UVA-1400

Below is a table summarizing the antenna design specification.

#### 1.1 Electrical Properties

Parameter	Description
Frequency Band	144 / 430 MHz
Nominal Impedance	50 ohm
Polarization	Vertical
V.S.W.R	1.5:1
Power	100W

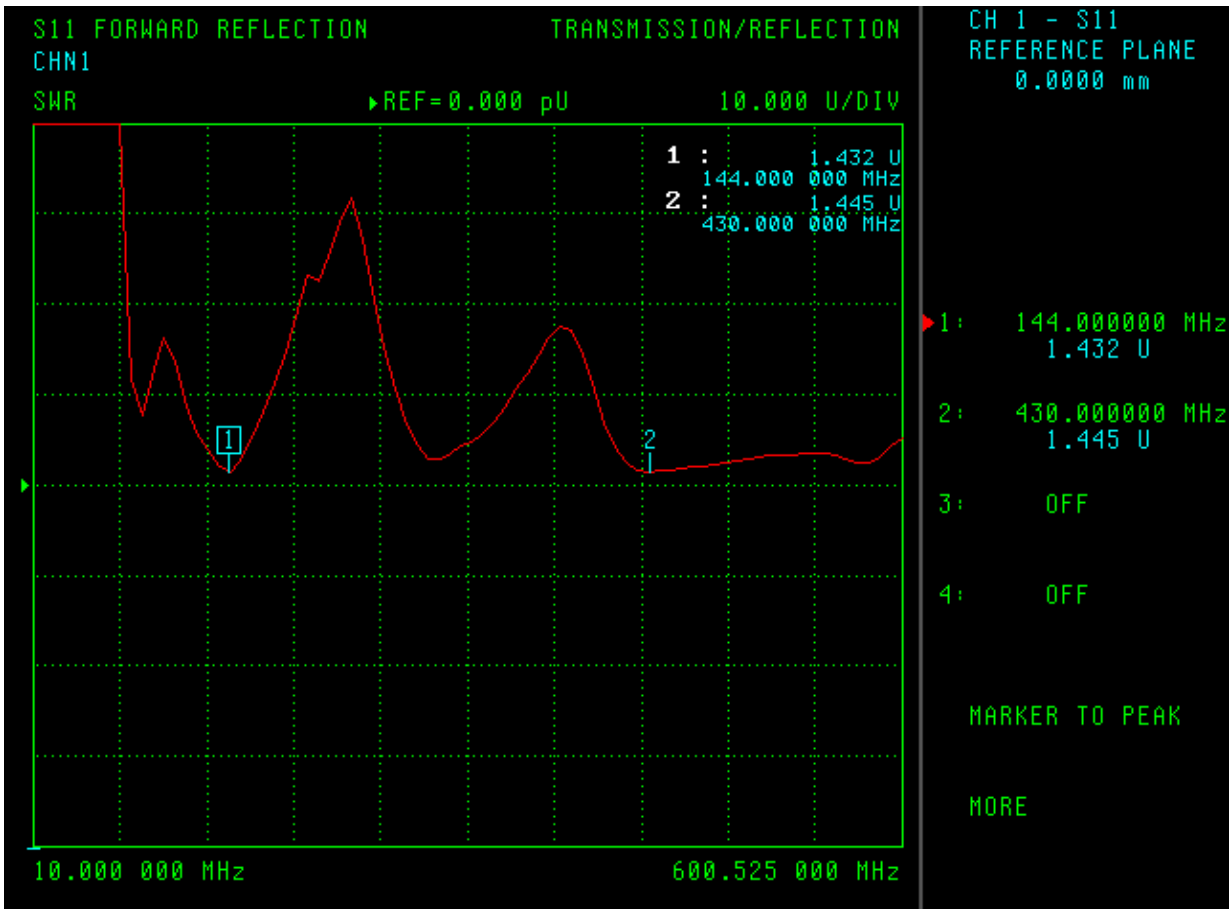
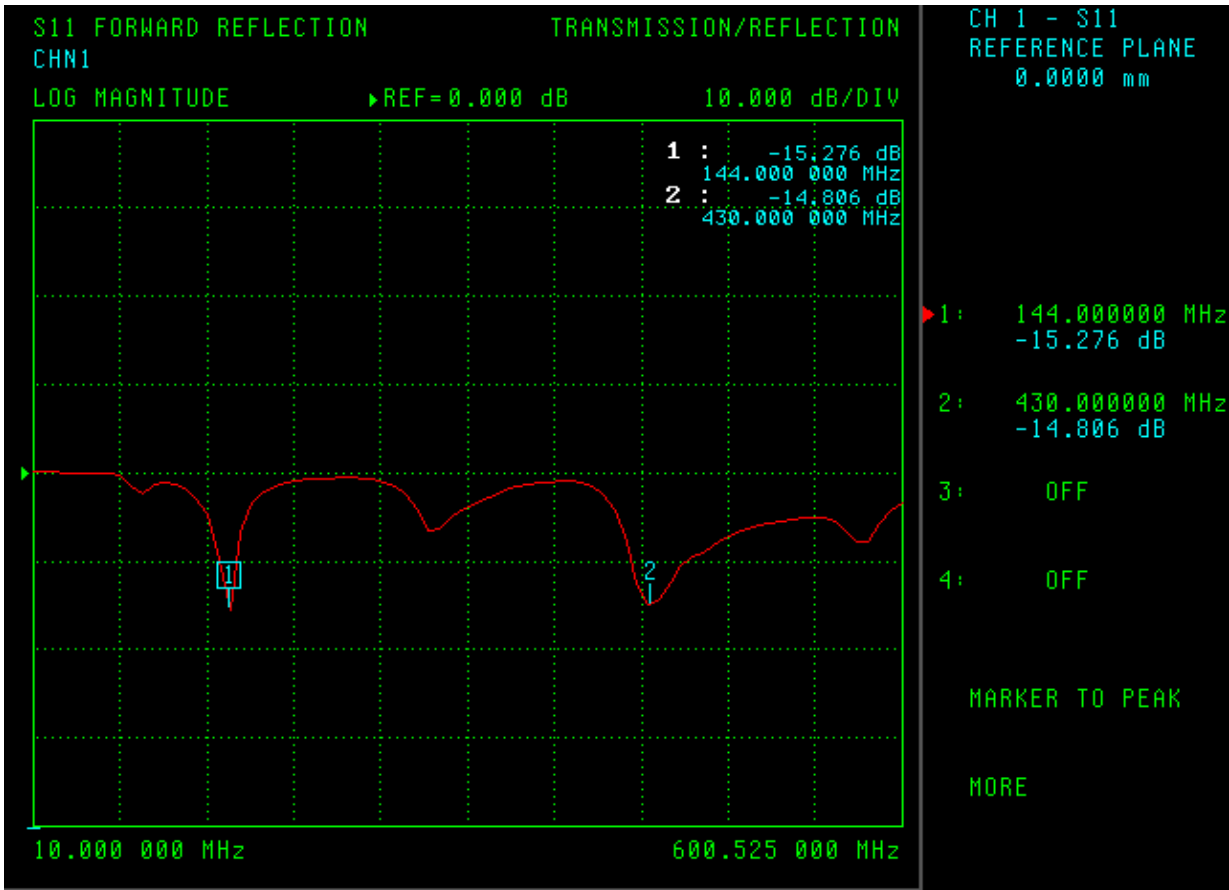
#### 1.2 Mechanical Properties

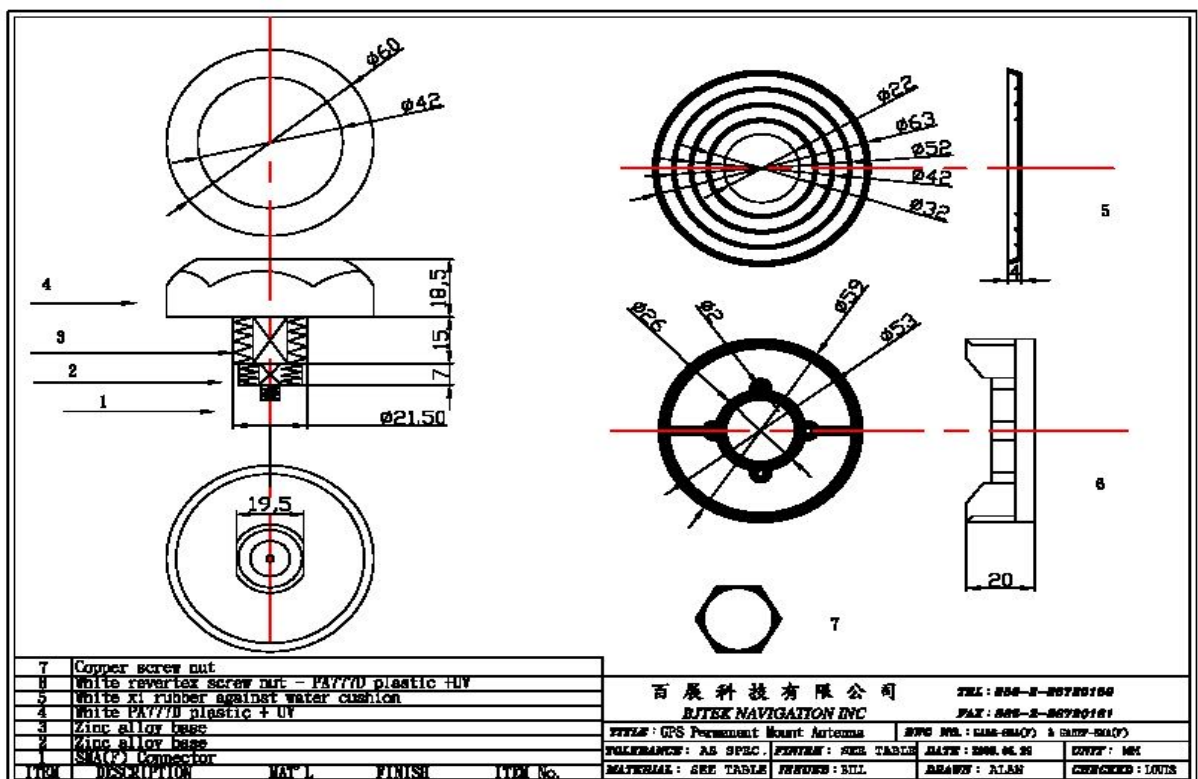
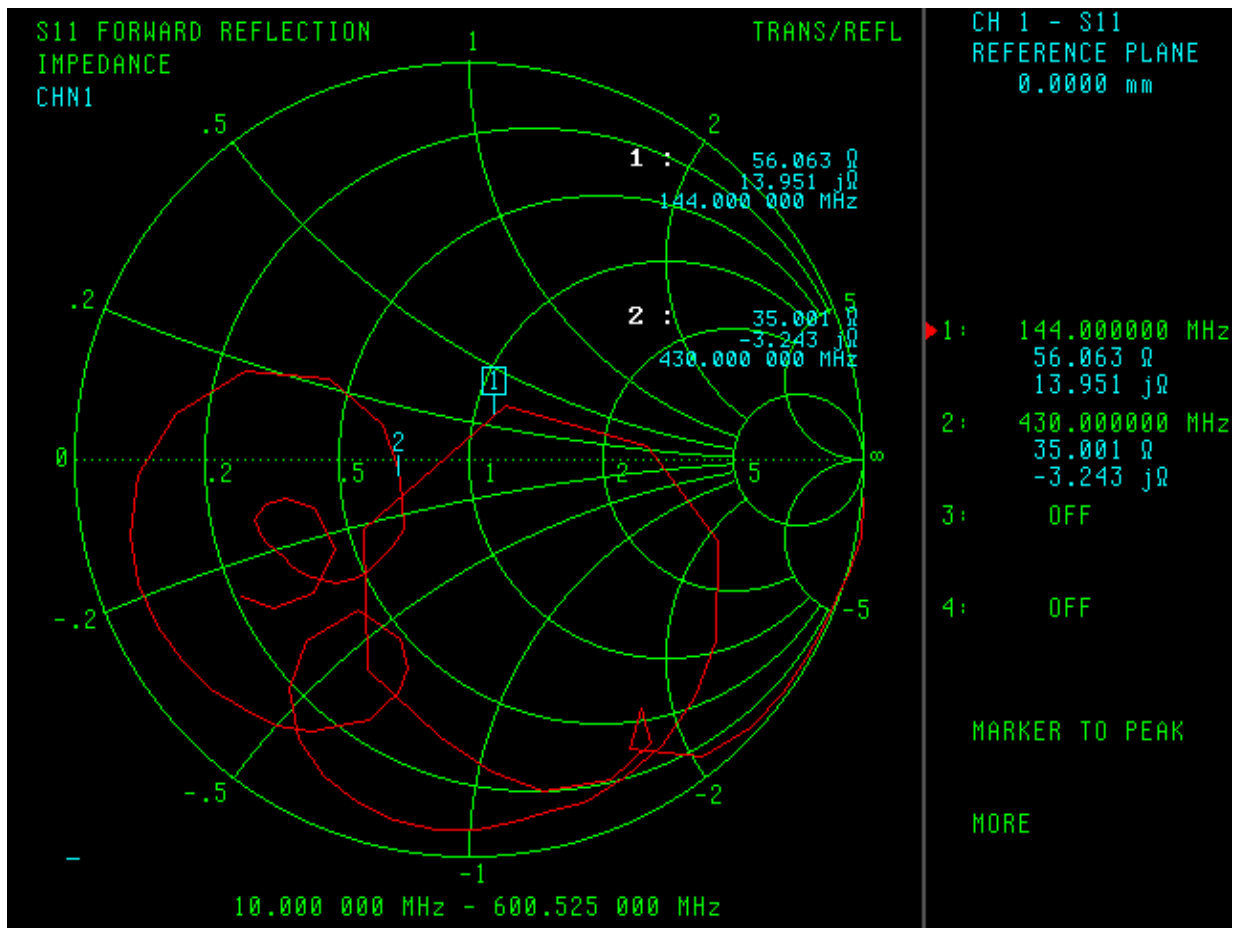
Parameter	Description
Antenna Type	Omni-Directional Antenna
Material	Fiberglass

Touch Type	Screw Type
Connector Type	PL259 connector (Female)
Antenna Dimensions	1400 mm ±10
Antenna Color	White
Operating Temperature Range	-20°C~+60°C
Storage Temperature Range	-30°C~+70°C

NO.	NAME	Q.	TV
01	Body	01	
02	Cap	01	
03	Sty ring(Stainless steel)	01	
04	Round iron washer	01	
05	Hexagonal nut	01	
06	Clip retaining	02	
07	U-Circlip	02	
08	Hexagonal nut	02	
09	Round iron washer	04	
10	Hexagonal nut	04	
11	Hexagonal plate hand	01	
12	PL259 Connector	01	

CUSTOMER'S	MODEL	PARTS NUMBER	FREQUENCY	UNIT	SCALE	DATE	VERSION
	X. TX40.15		144/430 MHz	U/M		20120103	1
TOLERANCE		NAME	PARTS NUMBER	APPROVED	CHECKED	DRAWING	DESIGNED
SURFACE ROUGHNESS	$\sqrt{R}$	APPEARANCE					





**FB6 : SUS Base mounting**

