

Marine GPS/VHF/UHF Antenna

MODEL: GUV-620

FOR Marine VHF Radio & GPS Navigation



GPS antenna Specifications: GA62

PHYSICAL CONDITION	
Constructions:	Polycarbonate radome, detachable cable/connector for easy mount, rubber-O-ring between top radome and screw base for waterproof
Dimensions:	60mm(Dia.) x 18.5mm(H)
Weight:	65grams (w/o cable & connector).
Color:	Standard in ivory white, other colours available upon request.
Mounting:	Bulkhead mount with 0.8 inch threaded wing nut (standard accessory).
Cable & Connector	
RF cable:	SMA(M) +10 meter RG58 +TNC(M) (standard) other length (optional)
Pulling strength:	6 Kg @ 5sec. molded plastic on connector end for strain relief.
Connector	SMA(F)
Antenna Element	
Center Frequency:	1575.42 MHz +/-1.023 MHz
Polarization:	R.H.C.P. (Right Handed Circular Polarization).
Absolute Gain @ Zenith:	+5 dBi typical.
Gain @ 10° Elevation:	-1 dBi typical.
Axial Ratio:	3 dB max.
Output VSWR:	1.5 max
Output Impedance:	50 ohm
Low Noise Amplifier	
Center Frequency:	1575.42 MHz
Power Gain:	28db +/-4.5db
Bandwidth:	2 MHz min.
Noise Figure:	1.5 min.
Outer Band Attenuation:	20 dB min. @ Fo +/-50 Mhz.
Supply Voltages:	2.5~5.5V DC.
Current Consumption:	2.5V : 6.6mA Typ. 3V: 8.6mA Typ. 4V: 12.6mA Typ.

	5V: 16.6mA Typ.
Output Impedance:	50W ohm
Overall Performance: (antenna element, LNA & coax cable)	
Center Frequency:	1575.42 Mhz.
Gain:	At 90° vertical to sky 30 ± 4.5dBi (cable loss) Note:1 Mounted on the 60mm x 60mm square ground plane
Noise Figure:	2.0 max.
Axial Ratio:	3 dB max.
Bandwidth:	2MHz min.
VSWR:	2.0 max.
Output Impedance:	50W ohm
Environmental	
Operating Temperature:	-40°C~ +85°C.
Storage Temperature:	-50°C~ +90°C.
Relative Humidity:	95% non-condensing.
Water Resistance:	100% waterproof.

Marine VHF Antenna Specifications: UVA-1400

Marine UHF/VHF Dual Band Antenna

MODEL: UVA-1400



This document provides a Sleeve Dipole Antenna design .

1.. GENERAL DESCRIPTION

Model No	P/N
	UVA-1400

Below is a table summarizing the antenna design specification.

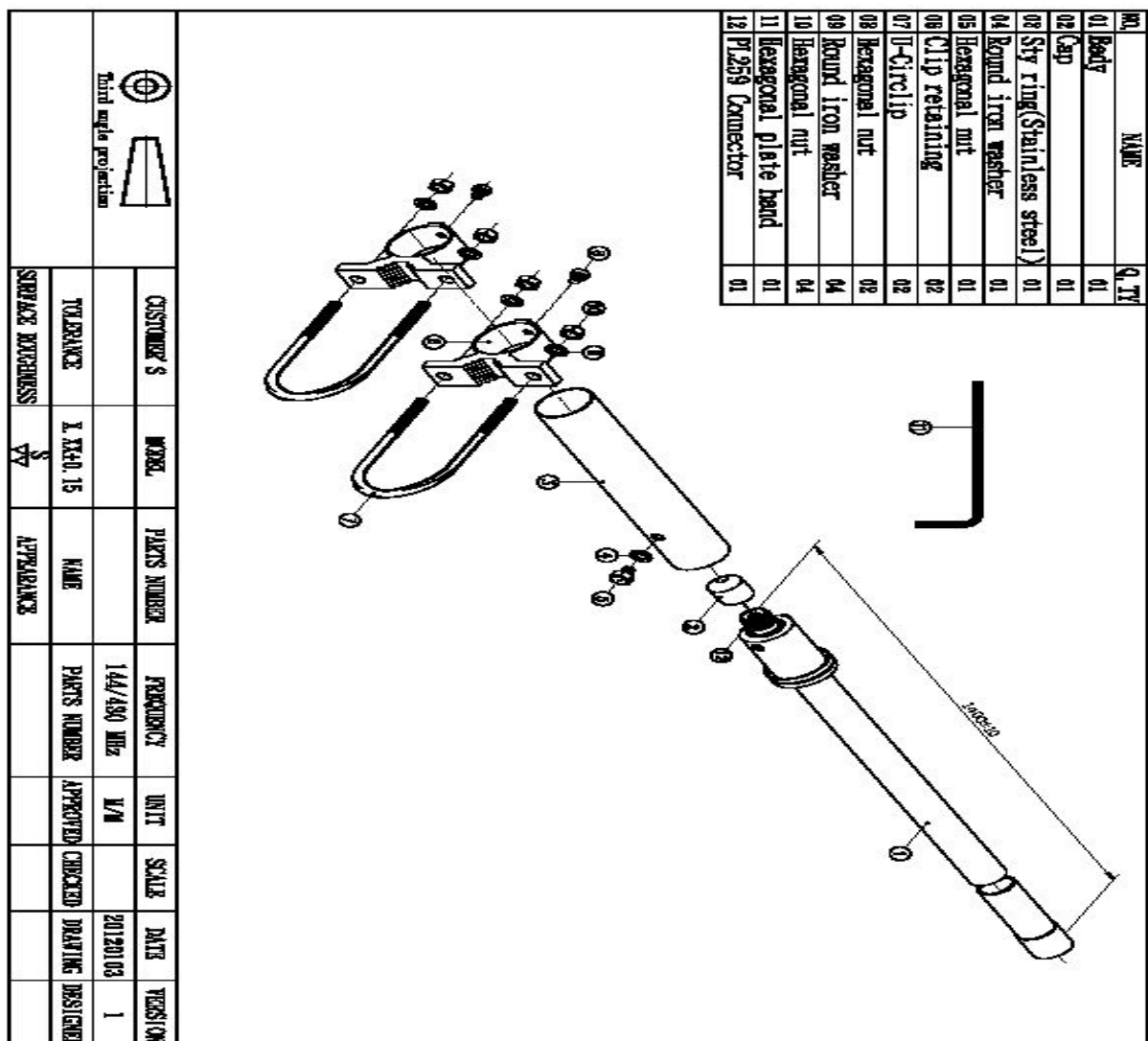
1.1 Electrical Properties

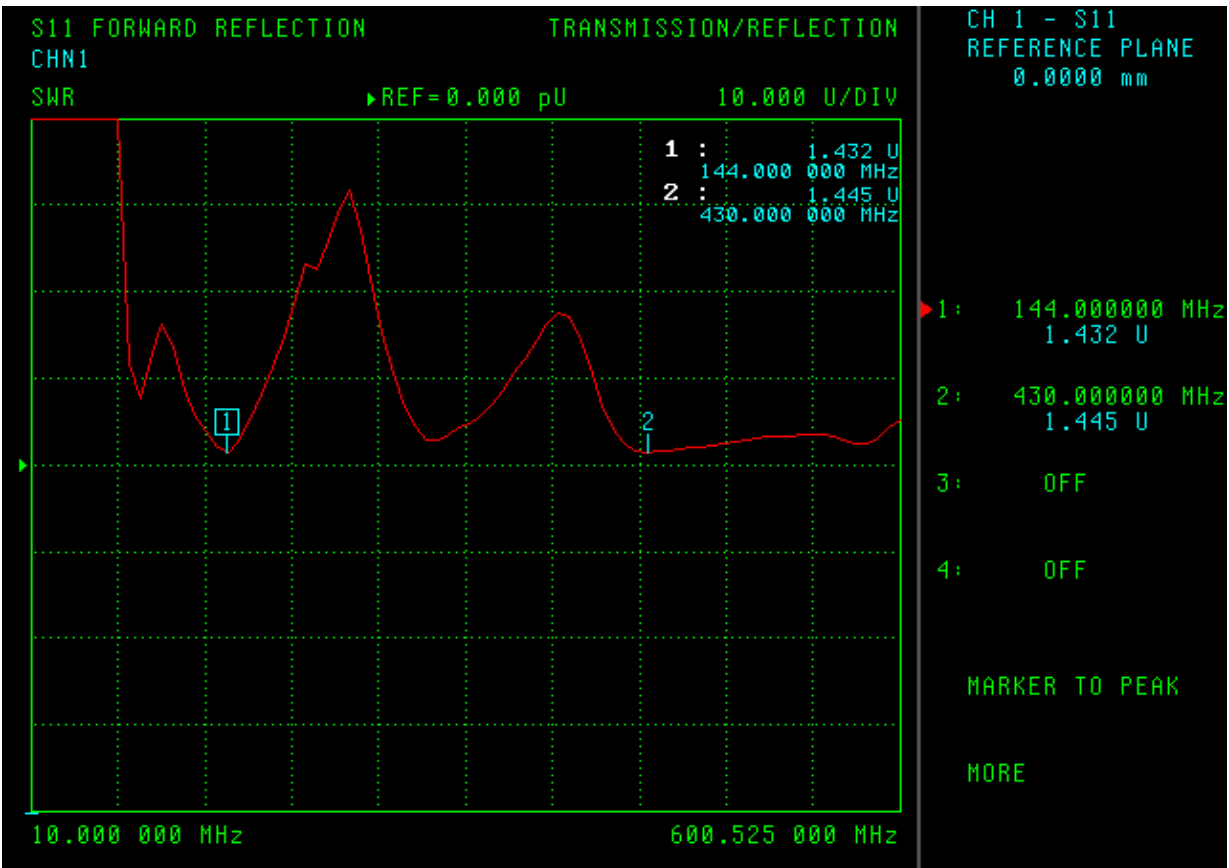
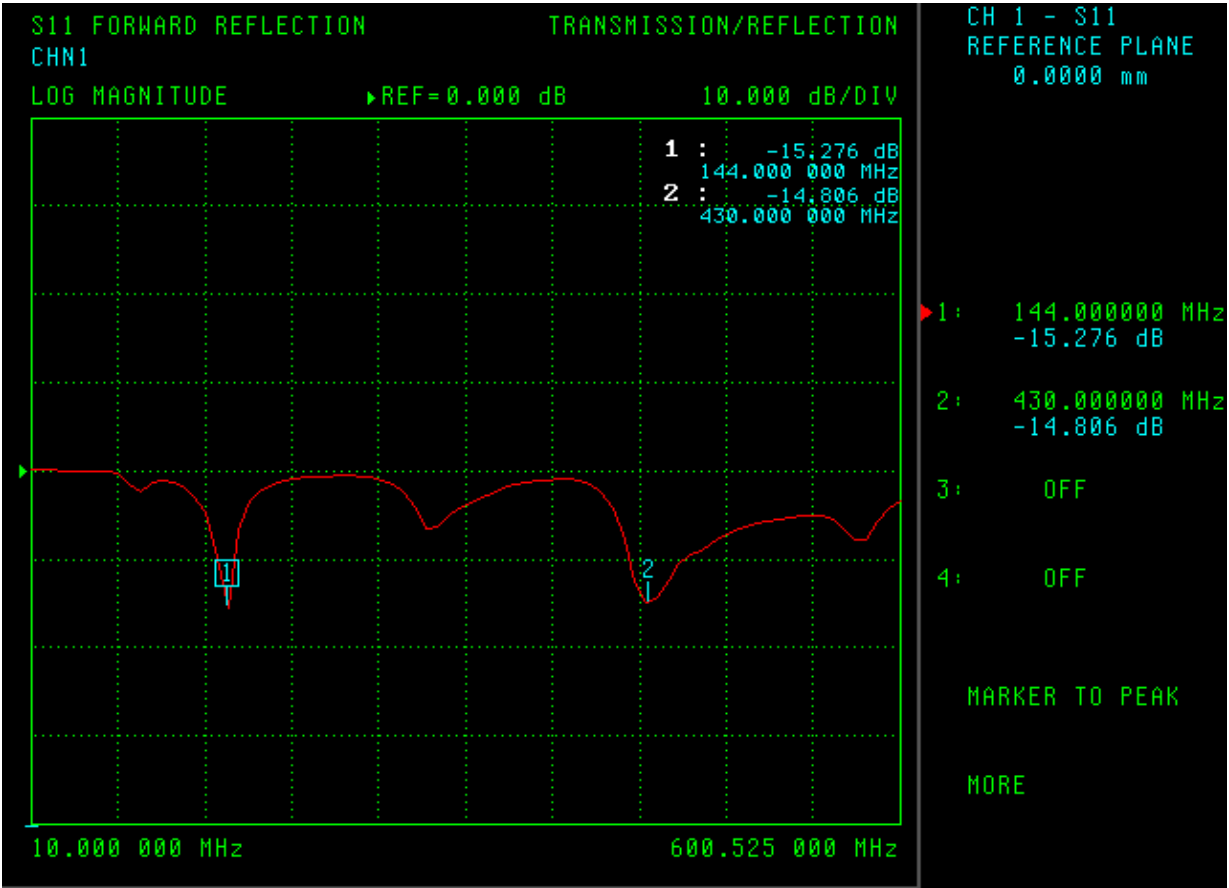
Parameter	Description
Frequency Band	144 / 430 MHz
Nominal Impedance	50 ohm
Polarization	Vertical

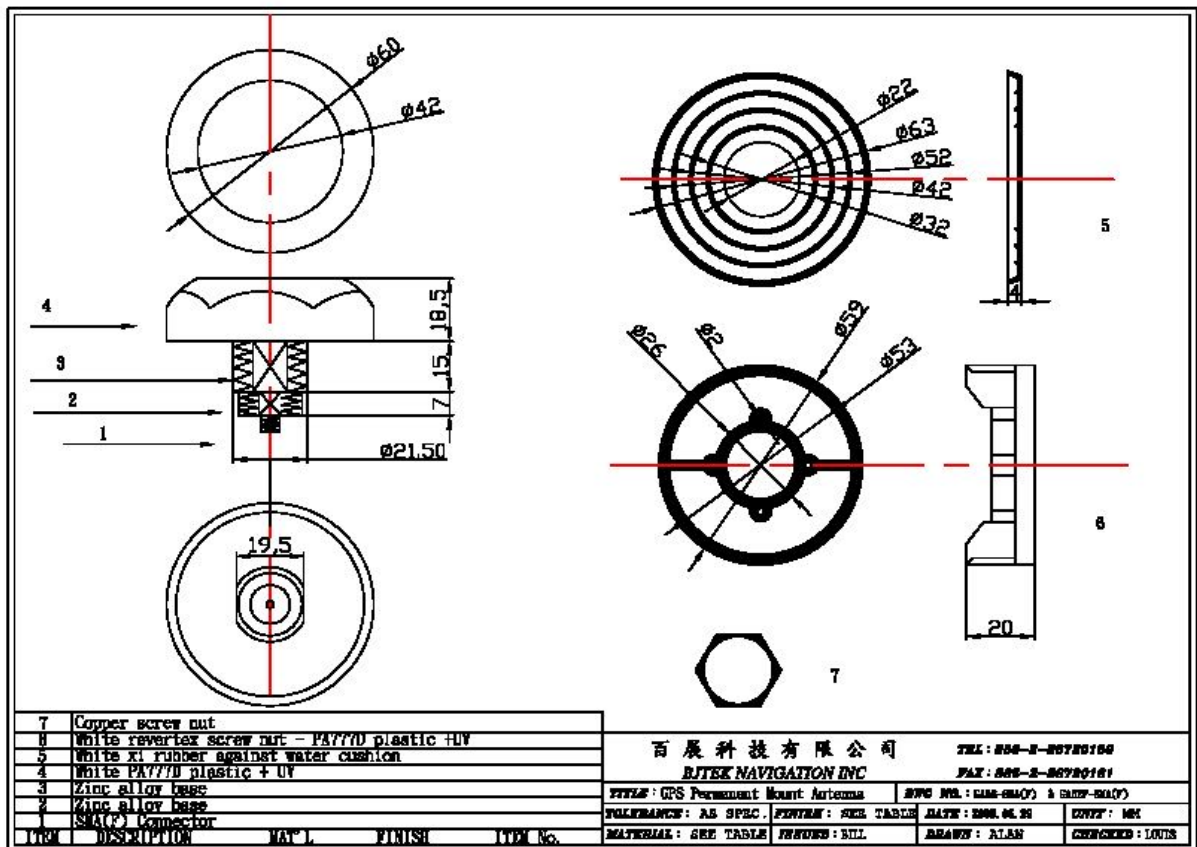
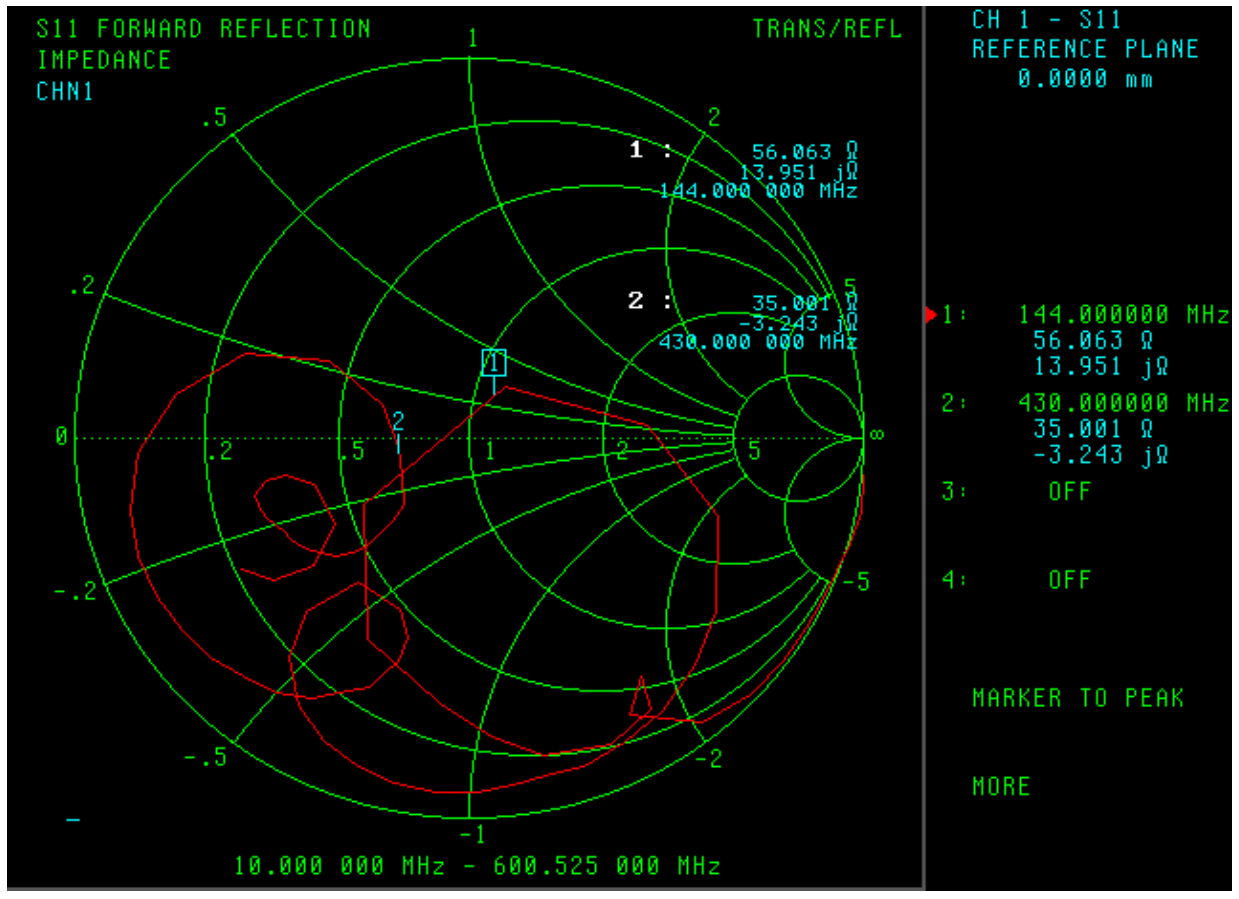
V.S.W.R	1.5:1
Power	100W

1.2 Mechanical Properties

Parameter	Description
Antenna Type	Omni-Directional Antenna
Material	Fiberglass
Touch Type	Screw Type
Connector Type	PL259 connector (Female)
Antenna Dimensions	1400 mm ±10
Antenna Color	White
Operating Temperature Range	-20°C~+60°C
Storage Temperature Range	-30°C~+70°C







FB6 : SUS Base mounting

