

Marine GPS/ GLONASS & VHF Antenna

MODEL: GVA-620G

FOR Marine VHF Radio & AIS SYSTEM & Orbcomm



GPS antenna Specifications: GA62G

PHYSICAL CONDITION	
Constructions:	Polycarbonate radome,detachable cable/connector for easy mount, rubber-O-ring between top radome and screw base for waterproof
Dimensions:	60mm(Dia.) x 18.5mm(H)
Weight:	65grams (w/o cable & connector).
Color:	Standard in ivory white, other colours available upon request.
Mounting:	Bulkhead mount with 0.8 inch threaded wing nut (standard accessory).
Cable & Connector	
RF cable:	TNC(M) +10 meter RG58 +BNC(M) (standard) other length (optional)
Pulling strength:	6 Kg @ 5sec. molded plastic on connector end for strain relief.
Connector	TNC(F)
Antenna Element	
Center Frequency:	1575Mhz & 1596-1620 MHz
Polarization:	R.H.C.P. (Right Handed Circular Polarization).
Bandwidth	10 MHz min. @S11≤-10 dB, 24MHz typ. @S11<-8dB
Gain @ 10° Elevation:	2 dBi typical.
Axial Ratio:	3 dB max.
Output VSWR:	1.5 max
Output Impedance:	50 ohm
Low Noise Amplifier	
Power Gain:	1570 Mhz : 29db typ 1620 Mhz : 16db typ
Bandwidth:	50 MHz min.
Noise Figure:	1.5 typ

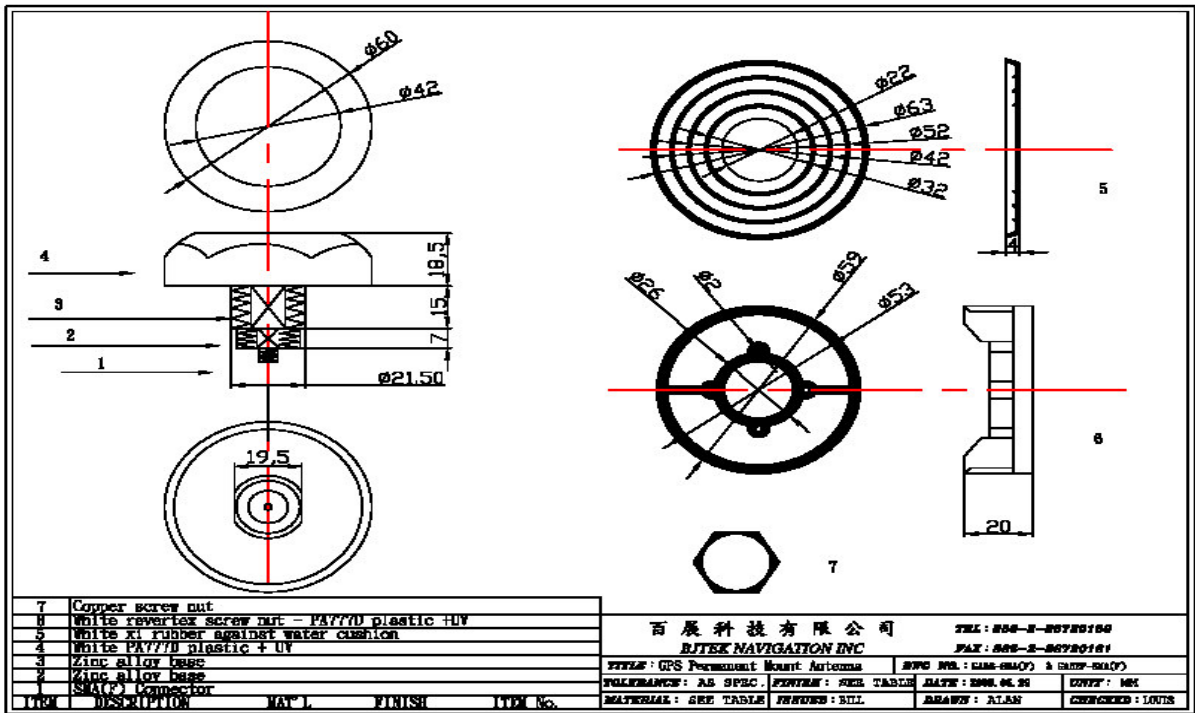
Outer Band Attenuation:	20 dB min. @ Fo +/-50 Mhz.
Supply Voltages:	2.3~5.5V DC.
Current Consumption:	2.5V : 6.6mA Typ. 3V: 8.6mA Typ. 4V: 12.6mA Typ. 5V: 16.6mA Typ.
Output Impedance:	50W ohm
Overall Performance: (antenna element, LNA & coax cable)	
Center Frequency:	1570 ~1620 Mhz.
Gain:	At 90° vertical to sky 30 ± 4.5dBi (cable loss) Note:1 Mounted on the 60mm x 60mm square ground plane
Noise Figure:	2.0 max.
Axial Ratio:	3 dB max.
Bandwidth:	10MHz min.
VSWR:	2.0 max.
Output Impedance:	50W ohm
Environmental	
Operating Temperature:	-40°C~ +85°C.
Storage Temperature:	-40°C~ +90°C.
Relative Humidity:	95% non-condensing.
Water Resistance:	100% waterproof.

Marine VHF Antenna Specifications: MVA-1400B

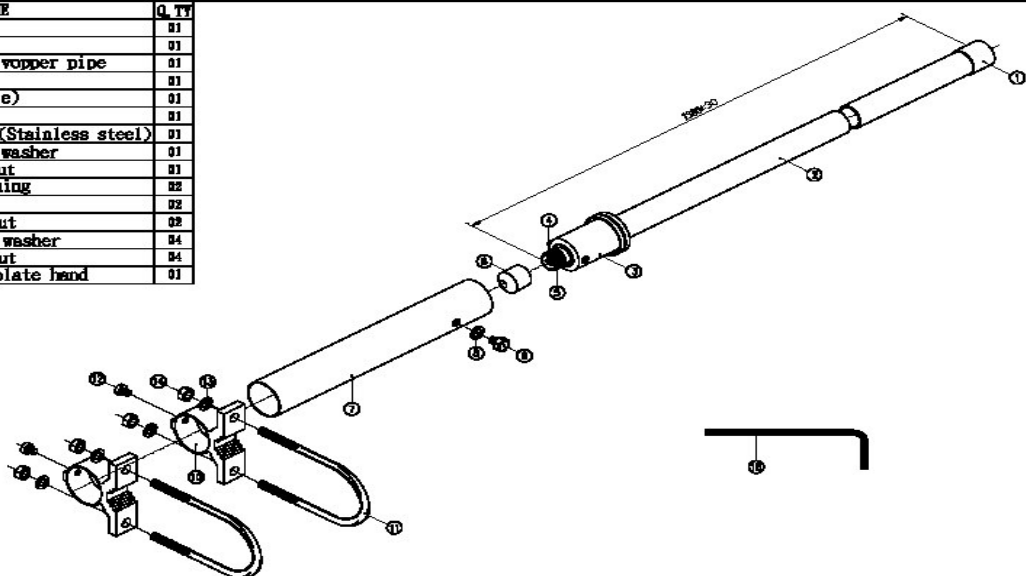
Marinr VHF ANTENNA	
Fr :	156 ~ 165 Mhz
Gain:	3 ~6dB
Configuration :	1/2 wave
VSWR	2.0:1
Impedence:	50 ohm
Connector:	PL259(F) or N (F)
Ground	without
Dimension:	1380mm
Weight:	1Kg

* This specification is subject to change without prior notice

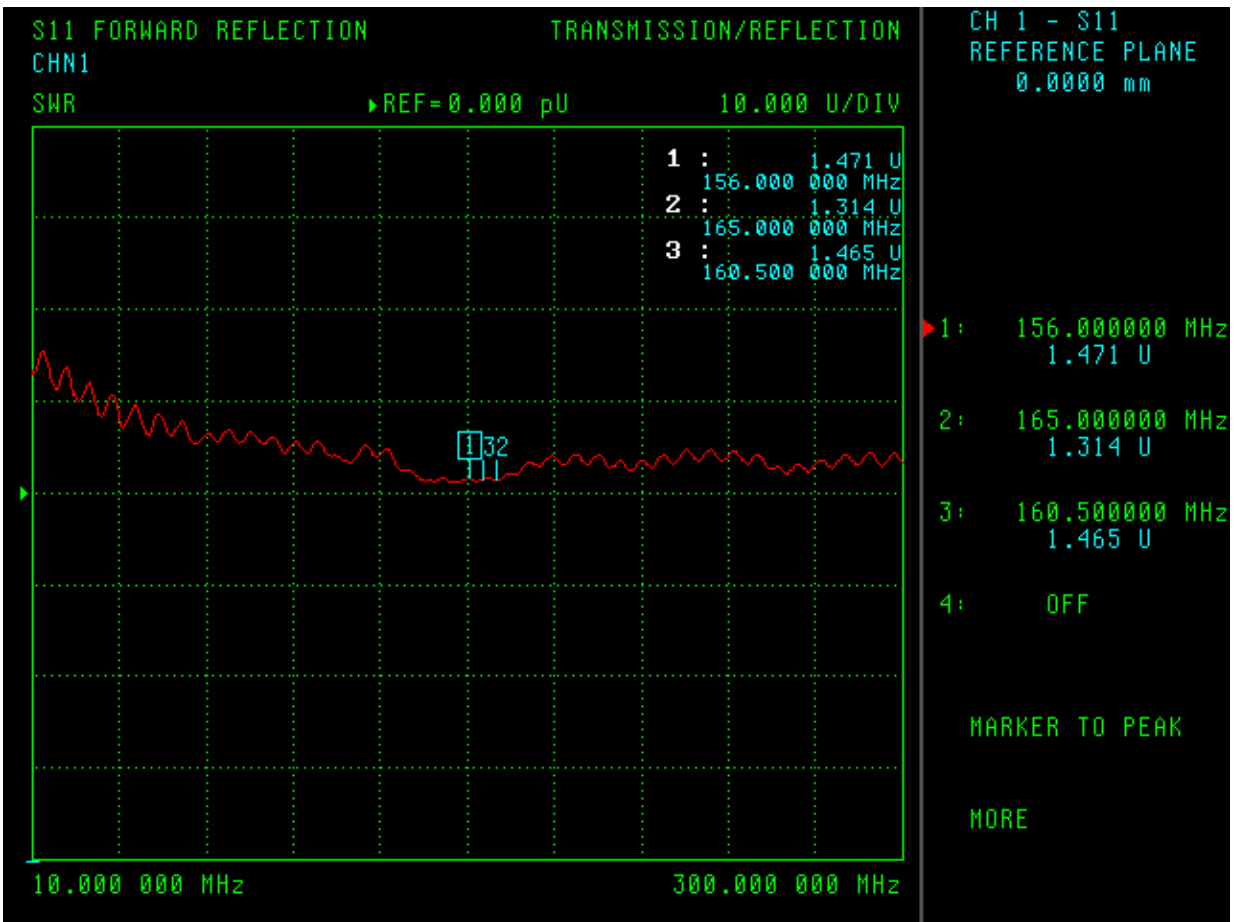
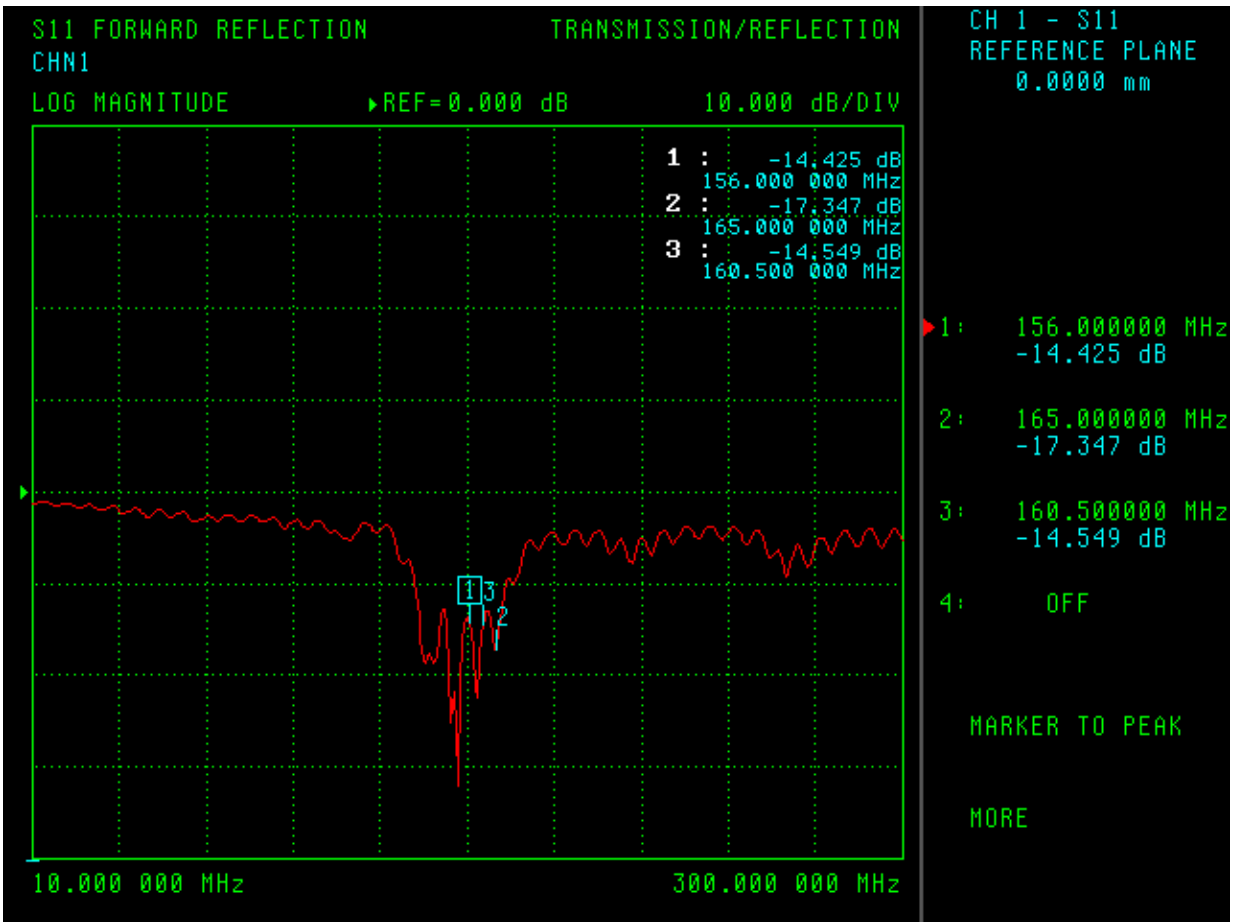
Data Updated: FEB.05, 2010

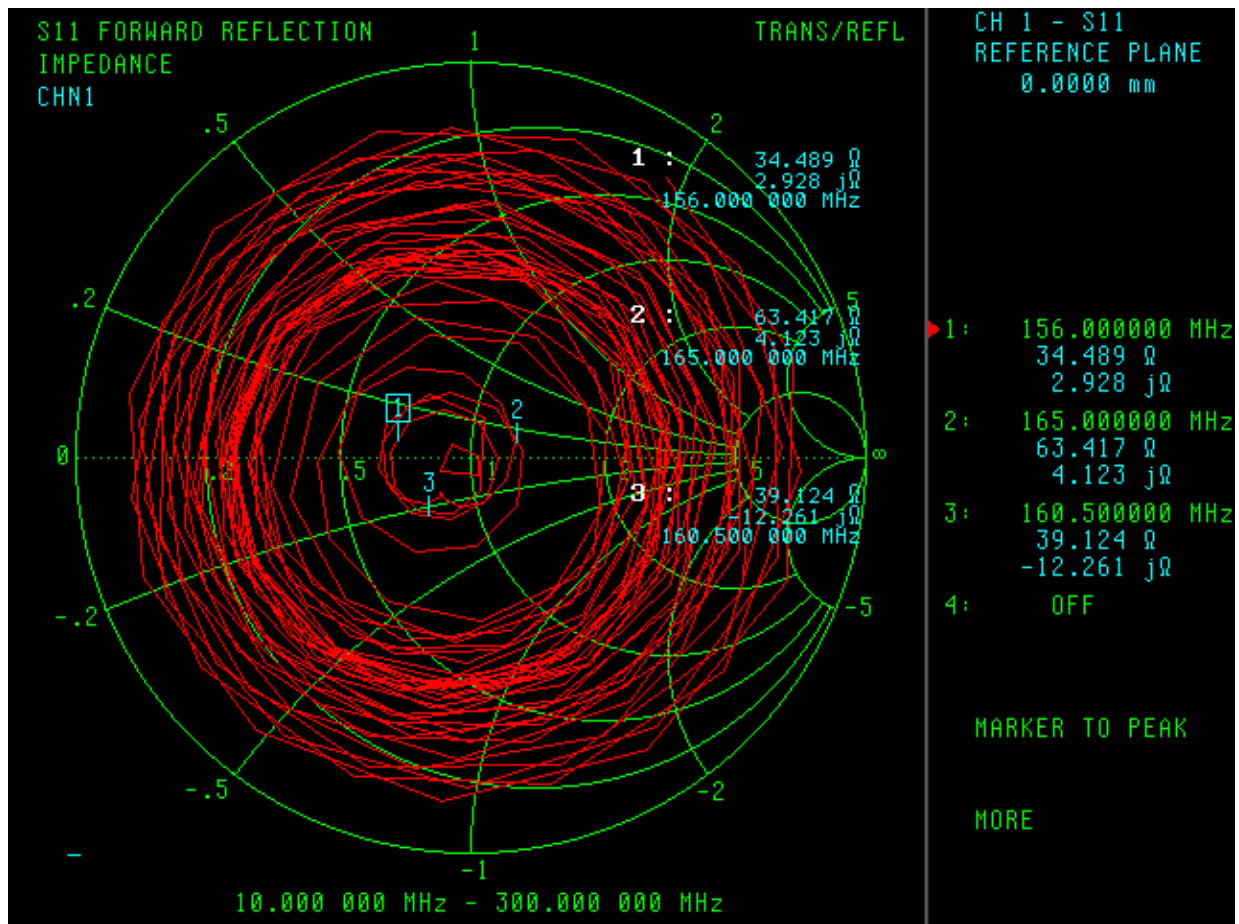


NO.	NAME	Q. TY
01	Top cap	01
02	Fiberglass	01
03	Connecting vopper pipe	01
04	Screw set	01
05	PL259(Female)	01
06	Cap	01
07	Copper tube(Stainless steel)	01
08	Round iron washer	01
09	Hexagonal nut	01
10	Clip retaining	02
11	U-Circlip	02
12	Hexagonal nut	02
13	Round iron washer	04
14	Hexagonal nut	04
15	Hexagonal plate hand	01



CUSTOMER'S	MODEL	PARTS NUMBER	FREQUENCY	UNIT	SCALE	DATE	VERSION
			156-174MHz	M/N		20090825	1
TOLERANCE	X. XX±0.15	NAME	PARTS NUMBER	APPROVED	CHECKED	DRAWING	DESIGNED
SURFACE ROUGHNESS	\sqrt{R}	APPEARANCE					





FB6 : SUS Base mounting

