

Radio FM Antenna

MODEL: TMC-80

TMC Antenna

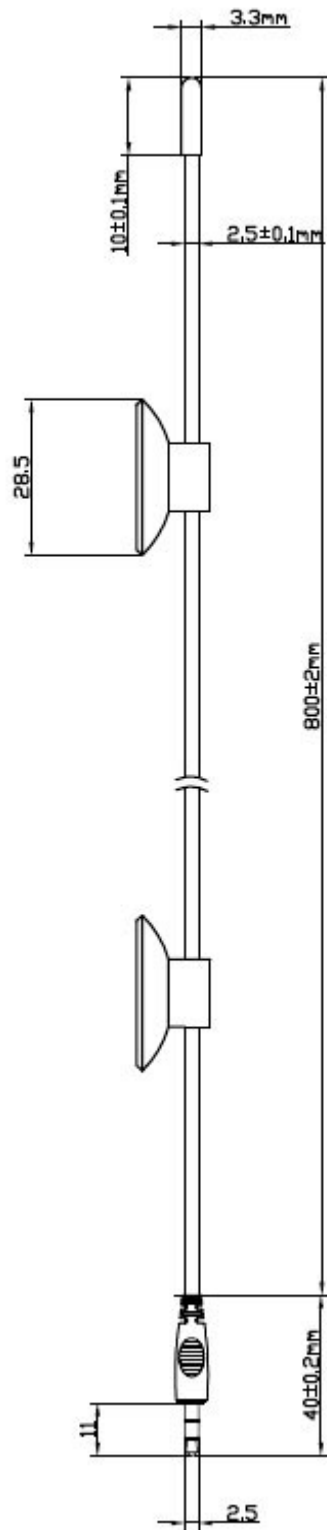


Specifications:

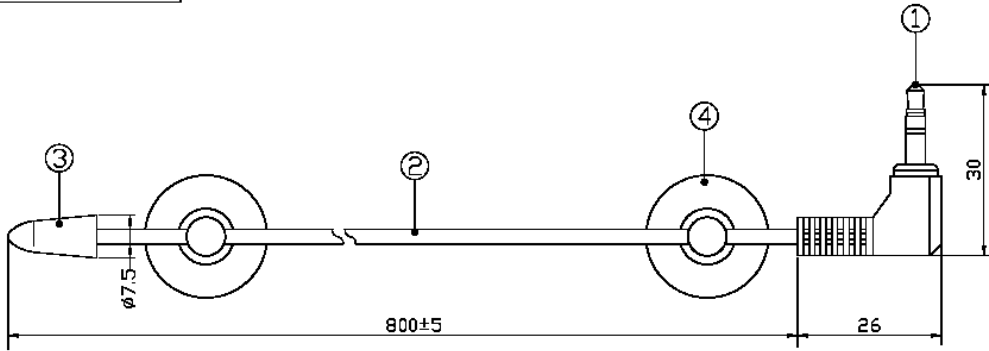
Frequency range:	88~104Mhz
Gain:	3 dBi
V.S.W.R:	1.5:1
Impedence:	50 ohm
Connector:	2.5mm phone plug
Height	106mm
Max Power	5W
Min Diameter	2.5mm
Max Diameter	28.5mm
cable	800mm
Weight:	>3g (With Connector)


* This specification is subject to change without prior notice

普通尺寸公差(±)				角度公差
尺寸之区分	A	B	C	± 0.5°
4以下	0.1	0.15	0.2	
4以上—16以下	0.15	0.2	0.3	
16以上—63以下	0.2	0.3	0.5	
63以上—250以下	0.3	0.5	0.8	
250以上	0.5	0.8	1.2	



NO.	NAME
01	Connector
02	RG-174 A/U Cable
03	Sheath
04	Clip retaining



 Third angle projection	CUSTOMER'S	MODEL	PARTS NUMBER	FREQUENCY	UNIT	SCALE	DATE	VERSION
					88/140GHz	M/M		20071214
	TOLERANCE	X, XX±0, 15	NAME	PARTS NUMBER	APPROVED	CHECKED	DRAWING	DESIGNED
	SURFACE ROUGHNESS	S VV	APPEARANCE					