

Marine Iridium Passive Antenna

MODEL: MA-700I



Antenna Size : 90.8mm(Dia) × 109mm(H)

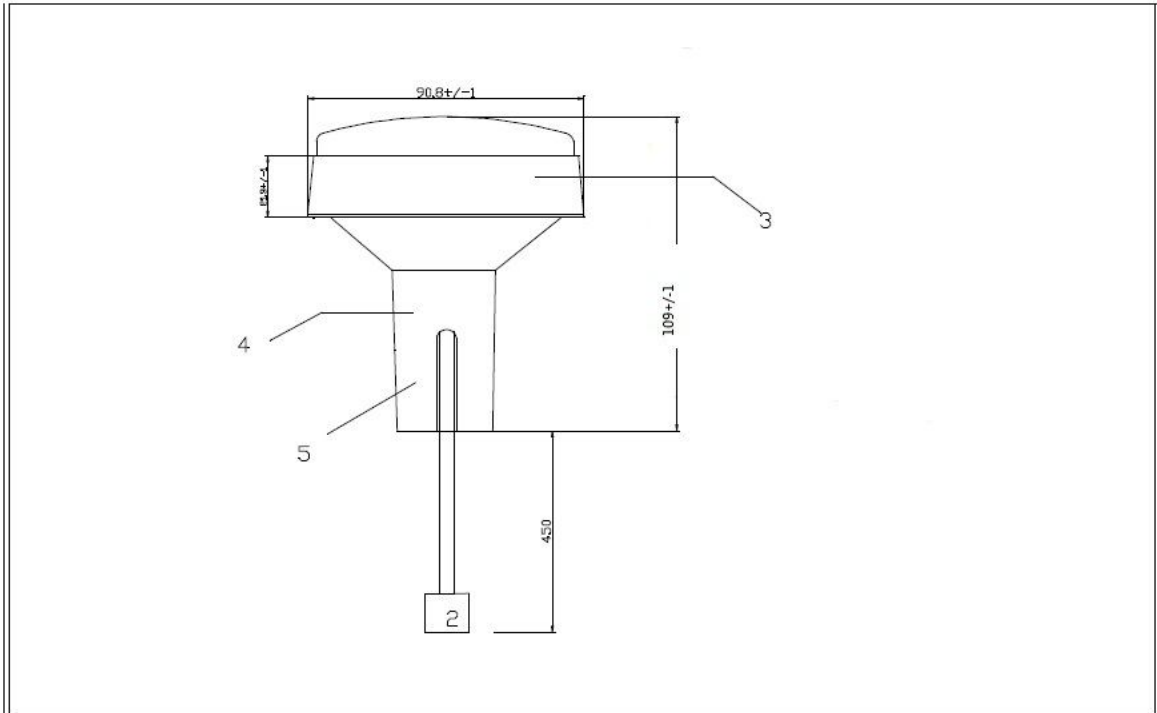
This series of Iridium antennas is specifically designed to provide excellent coverage in the 1610 to 1630 MHz range.

Specifications	
Antenna Element	
Center Frequency	1610-1630Mhz
Polarization	R.H.C.P. (Right Handed Circular Polarization)
Absolute Gain @ Zenith	+5 dBi typical Based on 70×70mm ground plane
Axial Ratio	3 dB max.
Output VSWR	1.5:1 Typ.
Output Impedance	50 ohm
Environmental Conditions	
Operating Temperature	-30°C to +80°C
Storage Temperature	-40°C to +100°C
Relative Humidity	40% to 95% non-condensing
Water Resistance	100% waterproof
Physical Constructions	
Dimensions	Antenna : 90.8mm(Dia.) × 109mm(H)
Weight	150 grams (without cable)
Standard Mounting	Concinnity and Solid design
Cable & Connector	
RF Cable	45CM-N(F)
Cable Pulling strength	12Kg for 5sec.
Connector available	N(F) (standard), SMA(F) / TNC(F) other types (optional)

* This specification is subject to change without prior notice

Data Updated: NOV 08, 2011

User selectable datum *Pole mount to 1"-14 UNS threaded mast



5	1"-14 UNF	百展科技有限公司		TEL: +886-2-8672-0160	
4	螺帽 下蓋			FAX: +886-2-8672-0161	
3	螺帽 上蓋	TITLE : _____ DWG NO. : _____		DATE : 2011.11.08 UNIT : MM	
2	CFD200-45CM-NCF				
1		MATERIAL : _____ ISSUED : J. C		DRAWN : BILL CHECKED : LOTUS	
ITEM	DESCRIPTION				



