

450Mhz Antenna

MODEL: TH-450

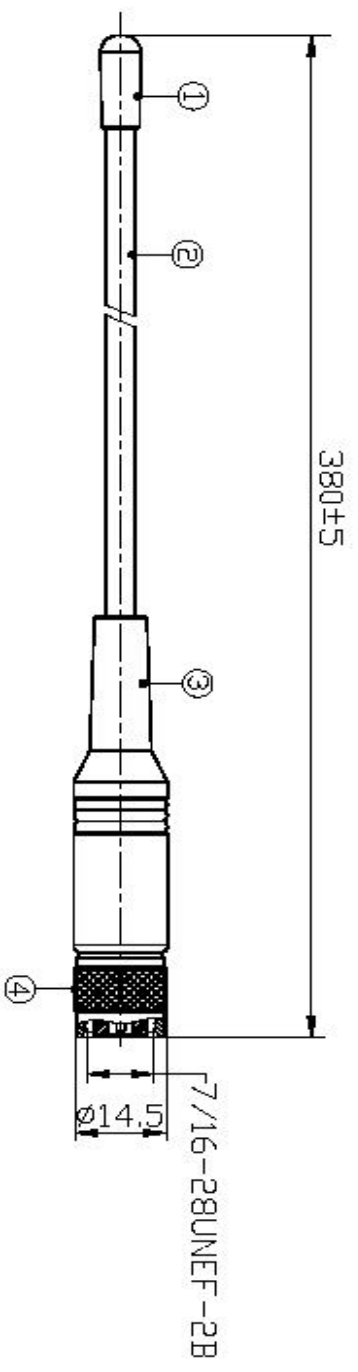


Specifications:

Frequency range:	450Mhz (430-470Mhz)
Gain:	0~1 dB
V.S.W.R:	2.0:1
Impedence:	50 ohm
Connector:	TNC(M) or SMA(M)
Dimension:	14.5(Dia.) × 380 (L) mm
Weight:	5g (With Connector)

* This specification is subject to change without prior notice

NO.	NAME	FINISH	QTY
01	TOP	Black	01
02	Stem guide	Black	01
03	Core tube	Black	01
04	TMC 180° (Male)	Chrom plating	01



CUSTOMER S	MODEL	PARTS NUMBER	FREQUENCY	UNIT	SCALE	DATE	VERSION
			430-47MHz	V/M		20111019	1
TOLERANCE	X.XX±0.15	NAME	PARTS NUMBER	APPROVED	CHECKED	DRAWING	DESIGNED
SURFACE ROUGHNESS	1.6	APPEARANCE					



