

UHF Antenna

MODEL: TH-420



1. GENERAL DESCRIPTION

Model No	P/N
TH-420	TH420-BNC(M)

Below is a table summarizing the antenna design specification.

1.1 Electrical Properties

Parameter	Description
Frequency Band	400~420 MHz
Nominal Impedance	50 ohm
Polarization	Vertical
Electrical Wave	1/4 λ Dipole
Return Loss	Please See Data-1
V.S.W.R	2.0 : 1
Note: Gain includes the cable loss	

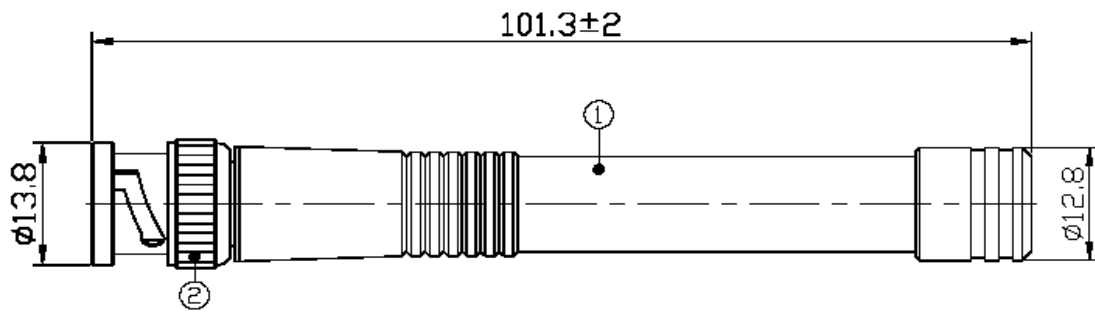
1.2 Mechanical Properties

Parameter	Description
Antenna Type	External Antenna
Touch Type	Screw Type
Connector Type	BNC 180°(Male)
Antenna Dimensions	101.3mm \pm 2
Antenna Color	Black
Operating Temperature Range	-20°C~+60°C
Storage Temperature Range	-30°C~+70°C

--	--

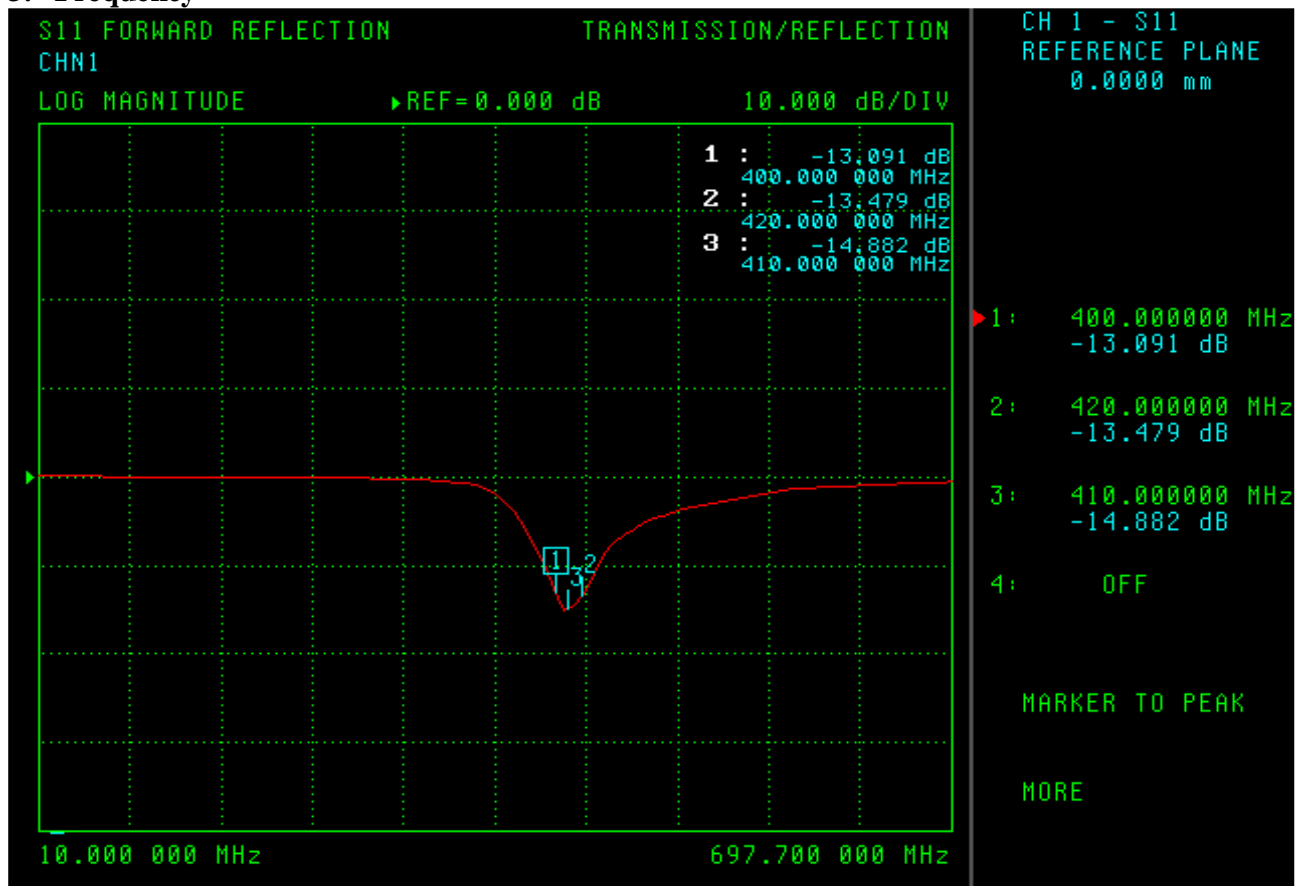
2. Appearance

NO.	NAME	FINISH	Q. TY
01	Core tube	Black	01
02	BNC 180° (Male)	Nickel plating	01



CUSTOMER'S	MODEL	PARTS NUMBER	FREQUENCY	UNIT	SCALE	DATE	VERSION
			400/420MHz	M/M		20090723	1
TOLERANCE	X. XX±D. 15	NAME	PARTS NUMBER	APPROVED	CHECKED	DRAWING	DESIGNED
SURFACE ROUGHNESS	\sqrt{R}	APPEARANCE					

3. Frequency



S11 FORWARD REFLECTION

TRANSMISSION/REFLECTION

CH 1 - S11

CHN1

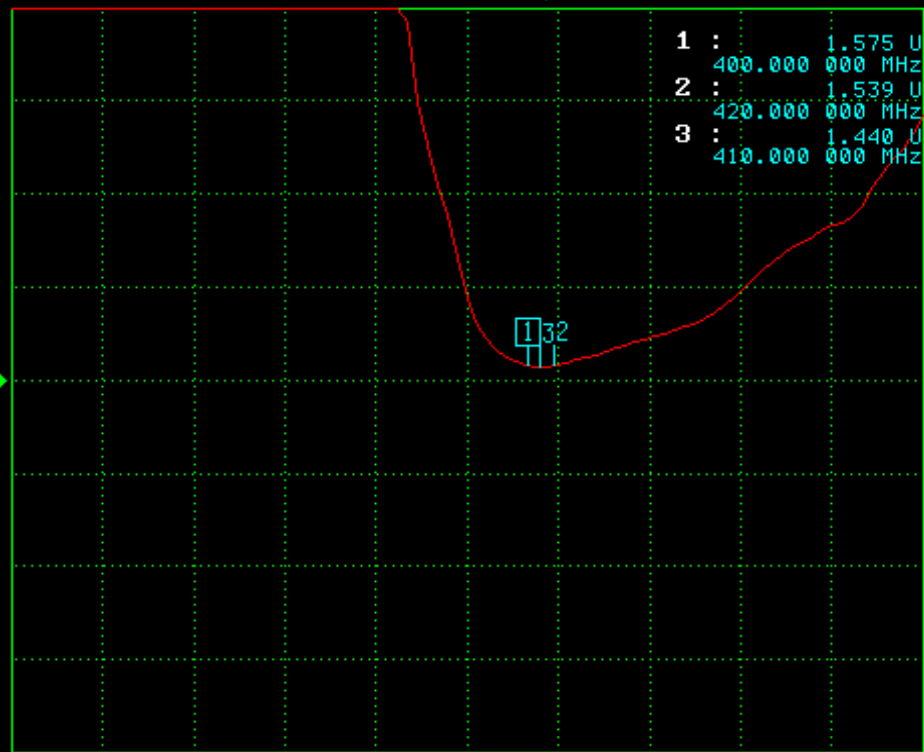
REFERENCE PLANE

0.0000 mm

SWR

REF=0.000 pU

10.000 U/DIV



1 : 1.575 U
400.000 000 MHz
2 : 1.539 U
420.000 000 MHz
3 : 1.440 U
410.000 000 MHz

1: 400.000000 MHz
1.575 U

2: 420.000000 MHz
1.539 U

3: 410.000000 MHz
1.440 U

4: OFF

MARKER TO PEAK

MORE

10.000 000 MHz

697.700 000 MHz