

UHF ANTENNA

MODEL: TH-375



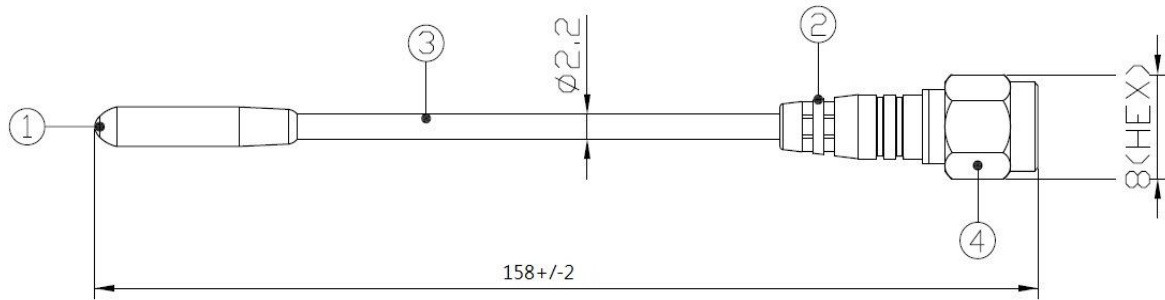
1.1 Electrical Properties


Parameter	Description
Frequency Band	360-390 MHz
Nominal Impedance	50 ohm
Polarization	Vertical
V.S.W.R	2.0:1
Antenna Average Gain	0dBi
Note: Gain includes the cable loss	

1.2 Mechanical Properties

Parameter	Description
Antenna Type	External Antenna
Antenna	SUS
Touch Type	Screw Type
Connector Type	SMA 180°(Male)
Antenna Dimensions	158mm±2
Antenna Color	Black
Operating Temperature Range	-30°C~+70°C
Storage Temperature Range	-30°C~+80°C

NO.	NAME	FINISH	Q. TY
01	TOP	Black	01
02	Sheath	Black	01
03	Stem guide		01
04	SMA 180° (Male)	Colden plating	01

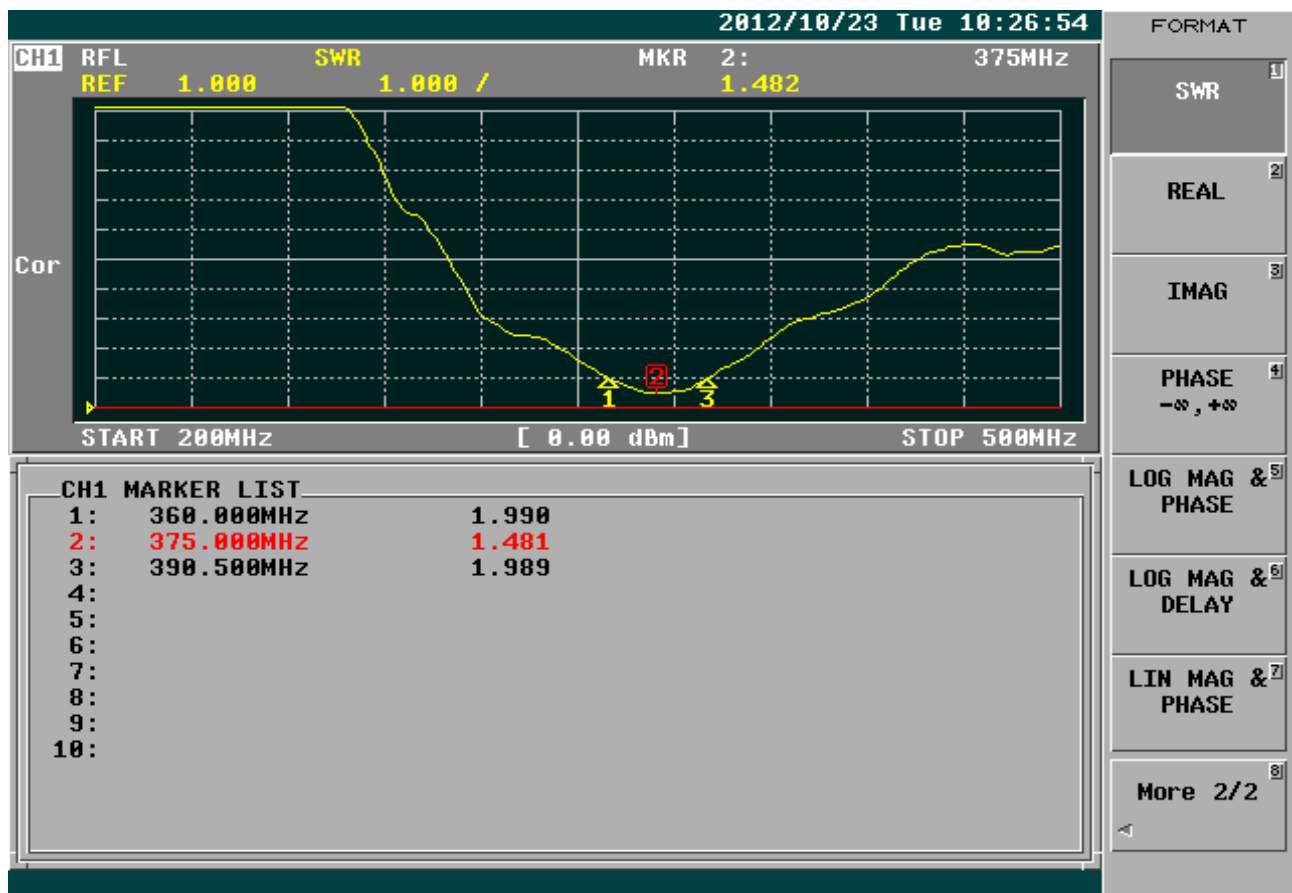
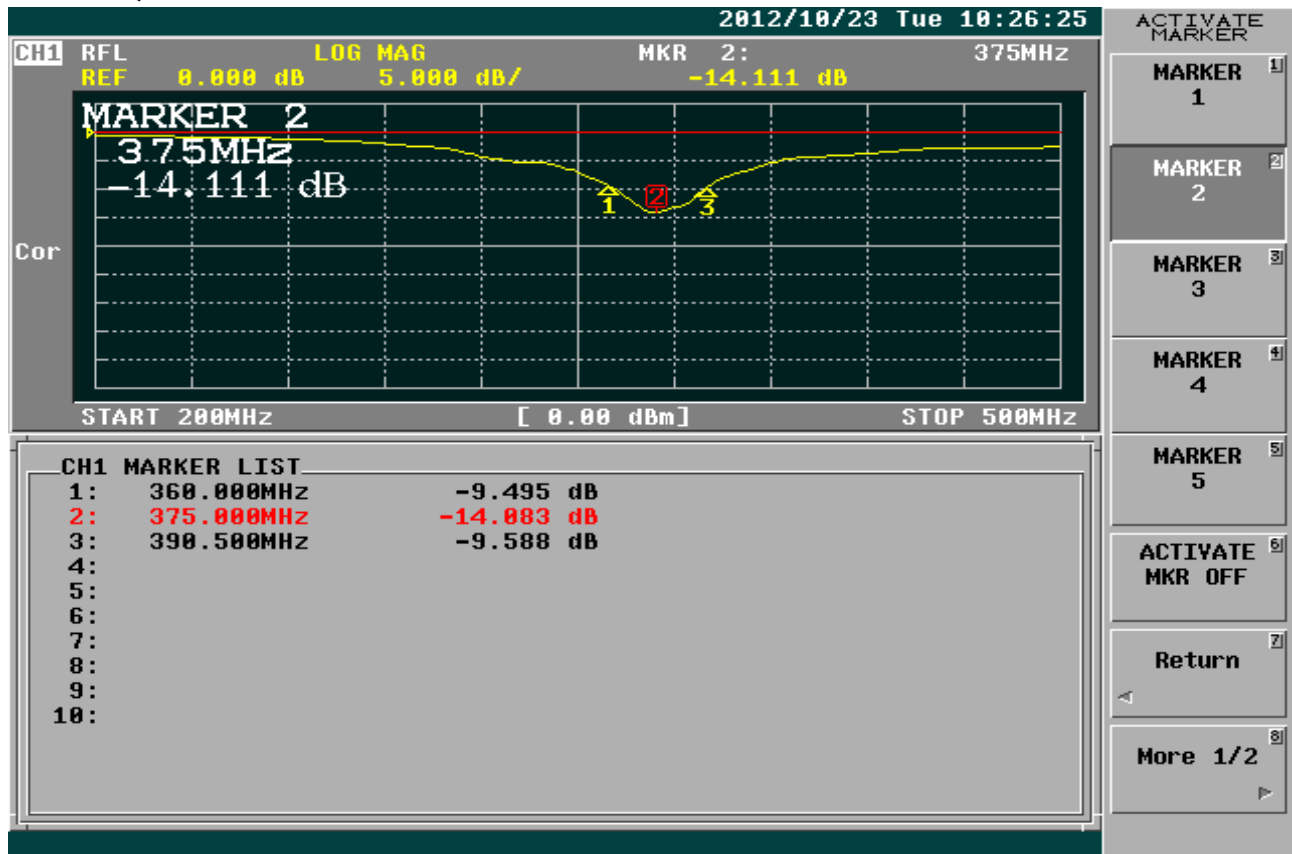


 Third angle projection	CUSTOMER'S	MODEL	PARTS NUMBER	FREQUENCY	UNIT	SCALE	DATE	VERSION
				TH375-SMA	360-390MHZ	M/M		20120709
	TOLERANCE	X.XX±0.15	NAME	PARTS NUMBER	APPROVED	CHECKED	DRAWING	DESIGNED
	SURFACE ROUGHNESS	$\sqrt{\Delta}$	APPEARANCE					

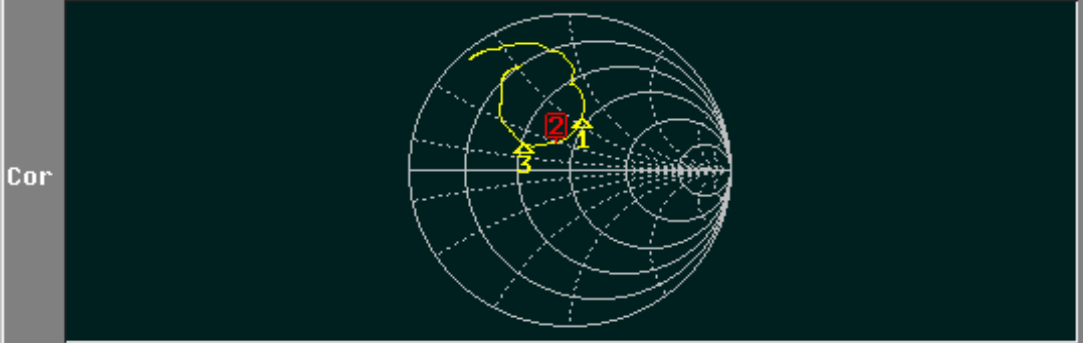
2. APPEARANCE



3. FREQUENCY



CH1 RFL SMITH(R+jX) MKR 2: 375MHz
 FS 1.000 39.721 Ω 14.441 Ω



Cor

START 200MHz [0.00 dBm] STOP 500MHz

CH1 MARKER LIST

1:	360.000MHz	45.785 Ω	33.123 Ω	14.644nH
2:	375.000MHz	39.754 Ω	14.302 Ω	6.070nH
3:	390.500MHz	26.155 Ω	10.370 Ω	4.226nH
4:				
5:				
6:				
7:				
8:				
9:				
10:				

FORMAT

- LOG MAG 1]
- PHASE 2]
- DELAY 3]
- SMITH (R+jX) 4]
- SMITH (G+jB) 5]
- POLAR 6]
- LIN MAG 7]
- More 1/2 8]