

UHF Antenna

MODEL: TH-315B



1.1 Electrical Properties

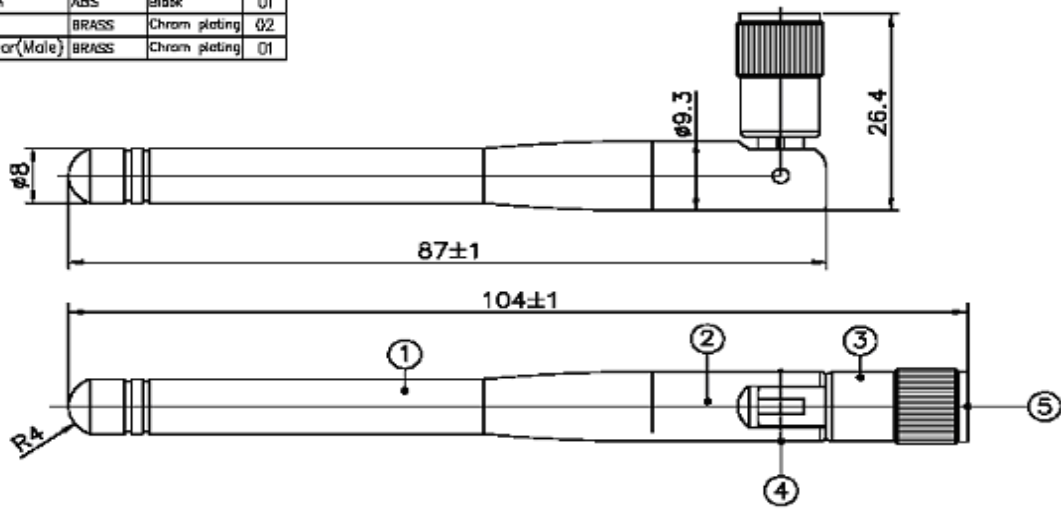
Parameter	Description
Frequency Band	315 MHz
Nominal Impedance	50 ohm
Polarization	Vertical
V.S.W.R	2.0:1
Antenna Average Gain	0dBi
Note: Gain includes the cable loss	

1.2 Mechanical Properties

Parameter	Description
Antenna Type	External Antenna
Antenna Cover	ABS
Touch Type	Screw Type
Connector Type	SMA 180°(Male)
Antenna Dimensions	104mm±2
Antenna Color	Black
Operating Temperature Range	-20°C~+60°C
Storage Temperature Range	-30°C~+70°C

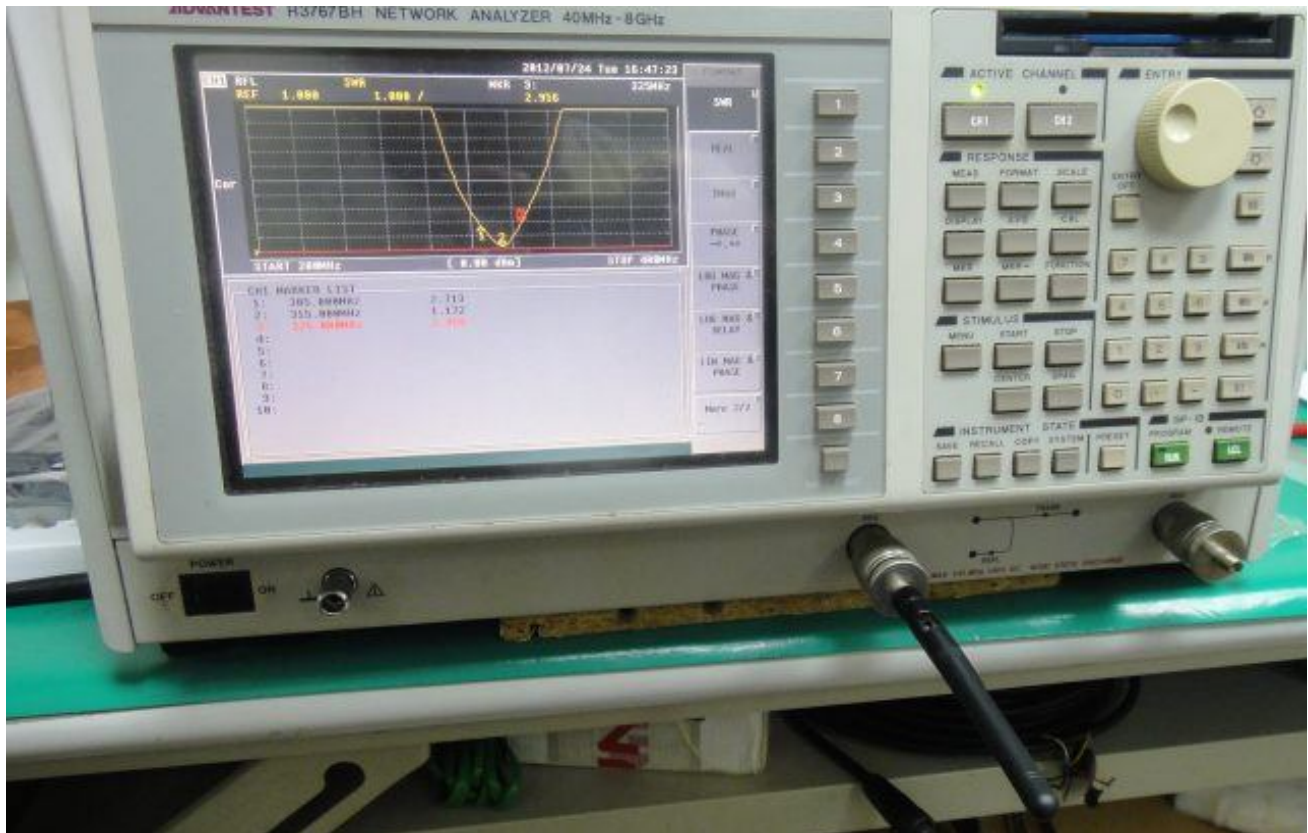
2. APPEARANCE

NO.	NAME	MATERIAL	FINISH	Q.TY
01	Core Tube	TPE	Black	01
02	Fixed upper	ABS	Black	01
03	Fixed beneath	ABS	Black	01
04	RIVET	BRASS	Chrom plating	02
05	SMA-Connector(Male)	BRASS	Chrom plating	01

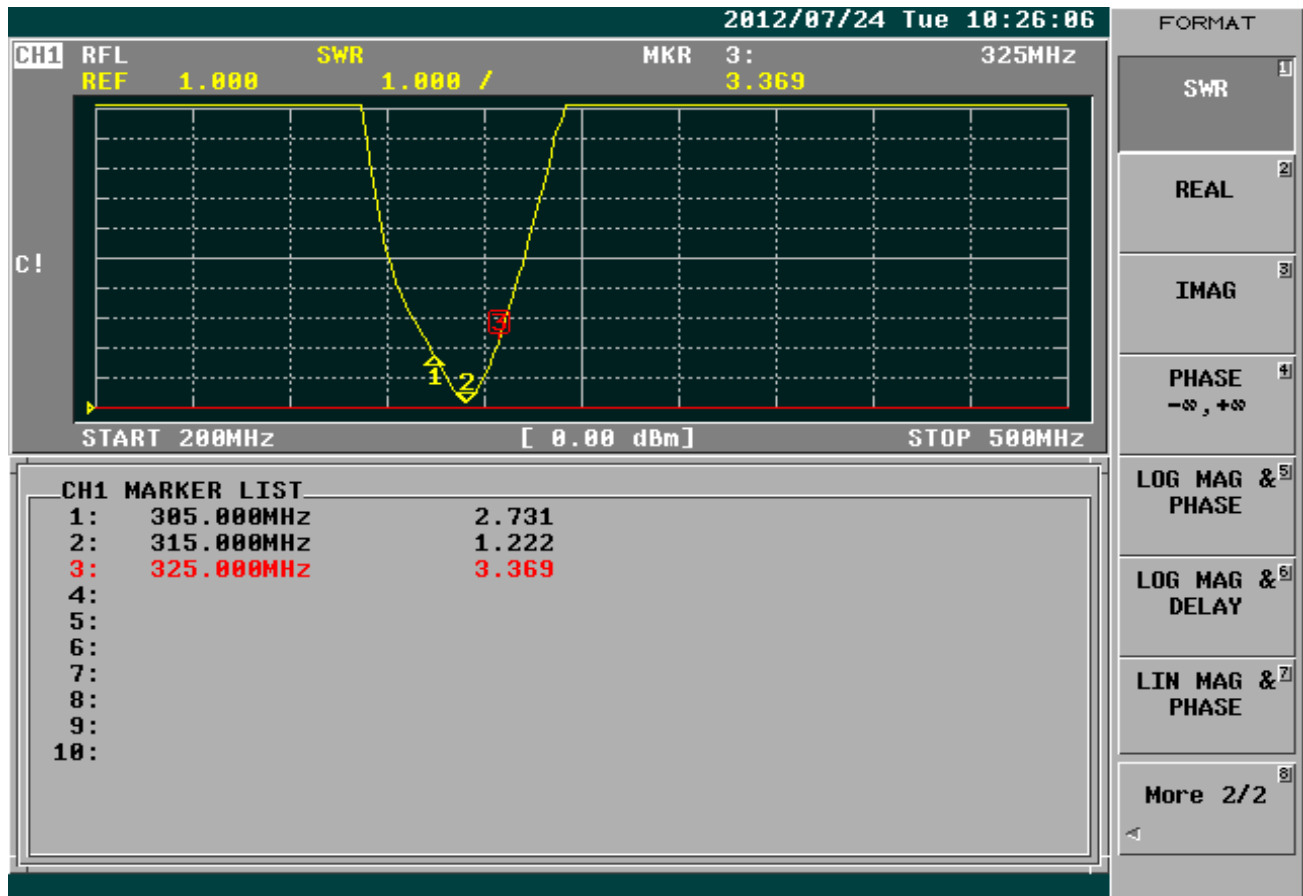
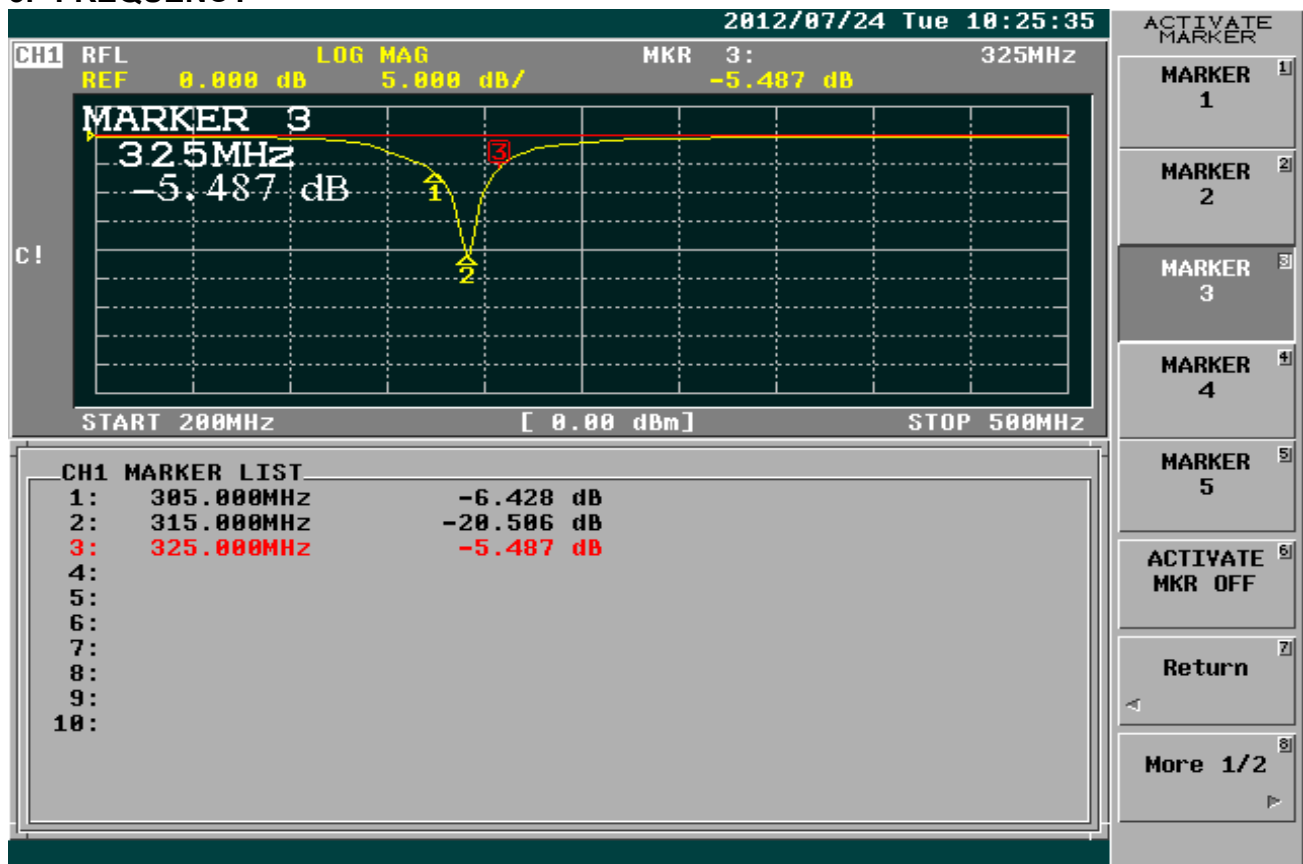


NO.	DATE	DESCRIPTION	REVISOR	VERSION
A	01			
B	02			

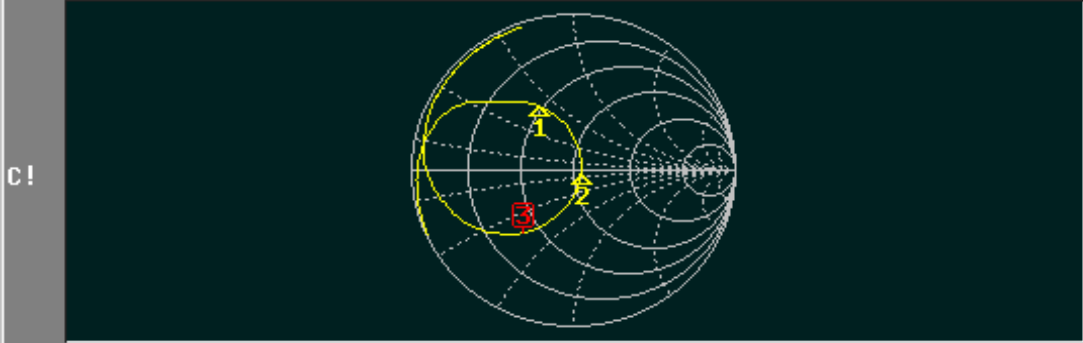
CUSTOMER'S	MODEL	PARTS NUMBER	FREQUENCY	UNIT	SCALE	DATE	VERSION
	X. XX±0.15	NAME	PARTS NUMBER	APPROVED	CHECKED	20070120	1
SURFACE ROUGHNESS	▽	APPEARANCE					



3. FREQUENCY



CH1 RFL SMITH(R+jX) MKR 3: 325MHz
 FS 1.000 19.132 Ω -20.665 Ω



START 200MHz [0.00 dBm] STOP 500MHz

CH1 MARKER LIST

1:	305.000MHz	24.646 Ω	24.884 Ω	12.985nH
2:	315.000MHz	53.859 Ω	-3.345 Ω	151.041pF
3:	325.000MHz	19.513 Ω	-21.086 Ω	23.223pF
4:				
5:				
6:				
7:				
8:				
9:				
10:				

FORMAT

- LOG MAG 1]
- PHASE 2]
- DELAY 3]
- SMITH (R+jX) 4]
- SMITH (G+jB) 5]
- POLAR 6]
- LIN MAG 7]
- More 1/2 8]