

WHIP UHF ANTENNA

Model : TH-270

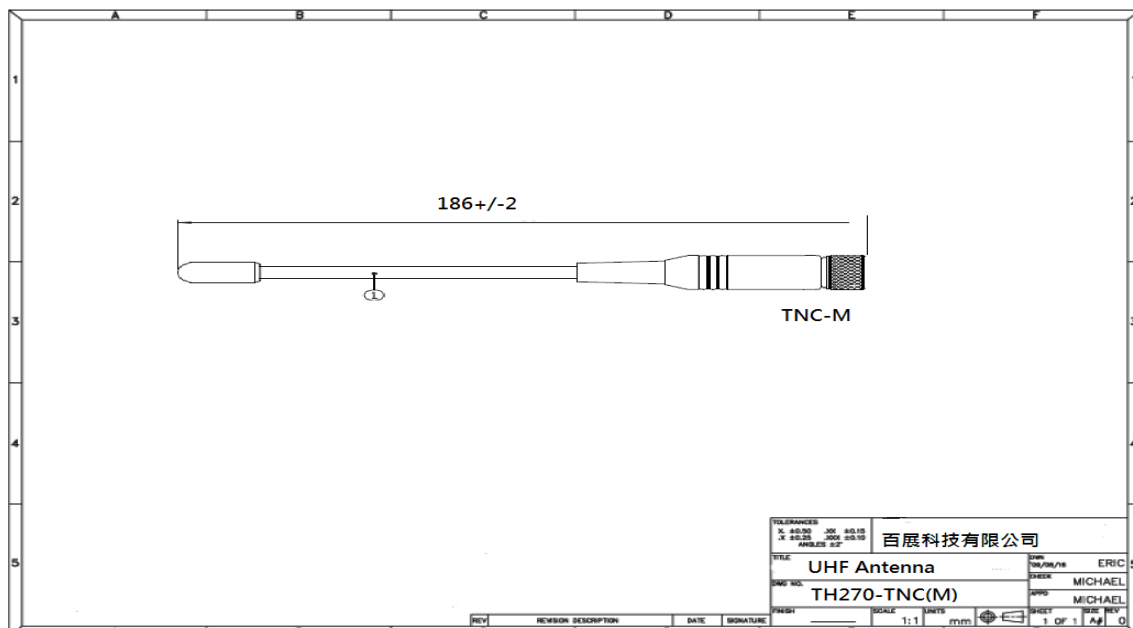


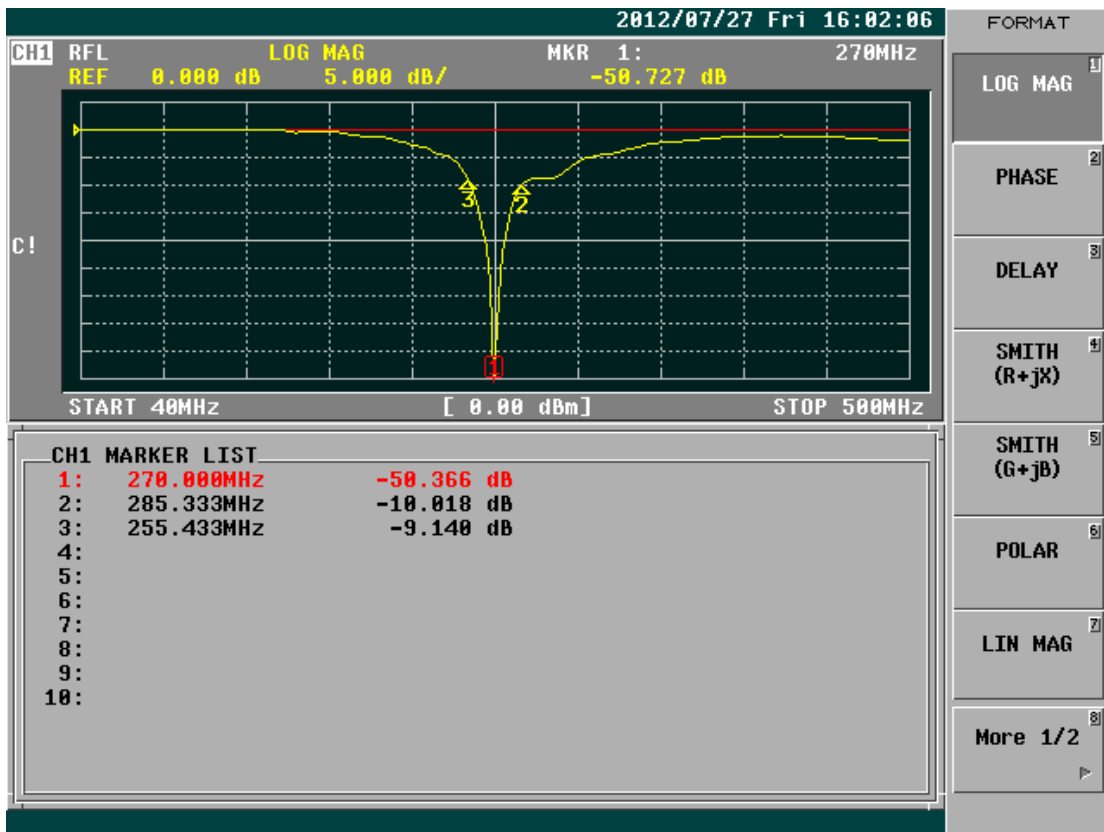
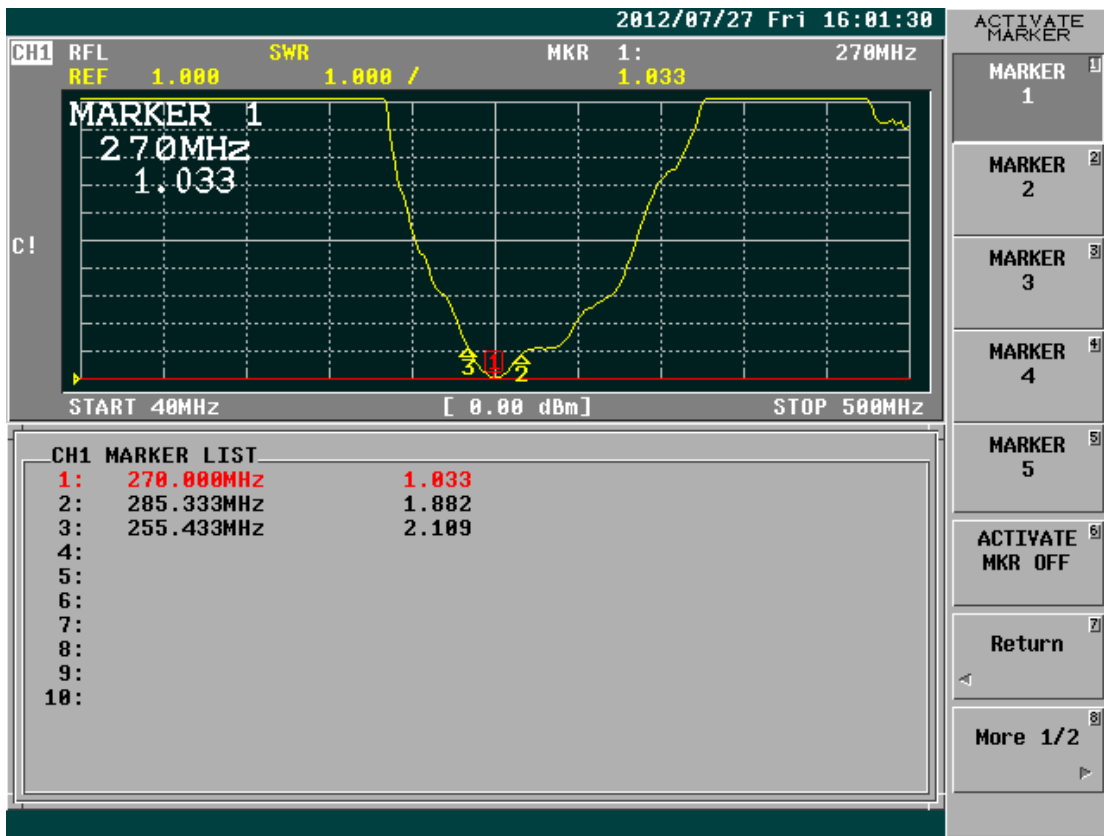
VHF Antenna Specifications:

Frequency range:	255~285Mhz
Gain:	1dBi
V.S.W.R:	<2.0
Impedence:	50 ohm
Connector:	TNC male
Dimension:	186mm +/-10 x OD14.7mm
Weight:	28g
Polarization :	vertical
Power handling :	10W
Colour :	Black
Rated wind velocity :	60m/s
Working Temperature :	-40~60°C

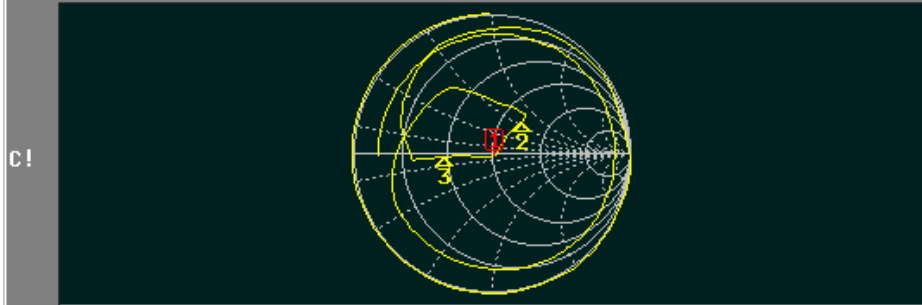
* This specification is subject to change without prior notice

Data Updated: Jul.27, 2012





CH1 RFL SMITH(R+jX) MKR 1: 270MHz
FS 1.000 50.908 Ω -1.274 Ω



START 40MHz [0.00 dBm] STOP 500MHz

CH1 MARKER LIST

1:	270.000MHz	50.908 Ω	-1.274 Ω	462.380pF
2:	285.333MHz	66.299 Ω	33.815 Ω	18.861nH
3:	255.433MHz	24.464 Ω	-1.604 Ω	388.244pF
4:				
5:				
6:				
7:				
8:				
9:				
10:				

FORMAT

LOG MAG

PHASE

DELAY

SMITH (R+jX)

SMITH (G+jB)

POLAR

LIN MAG

More 1/2