

CAR 433 Antenna

MODEL: MA-433



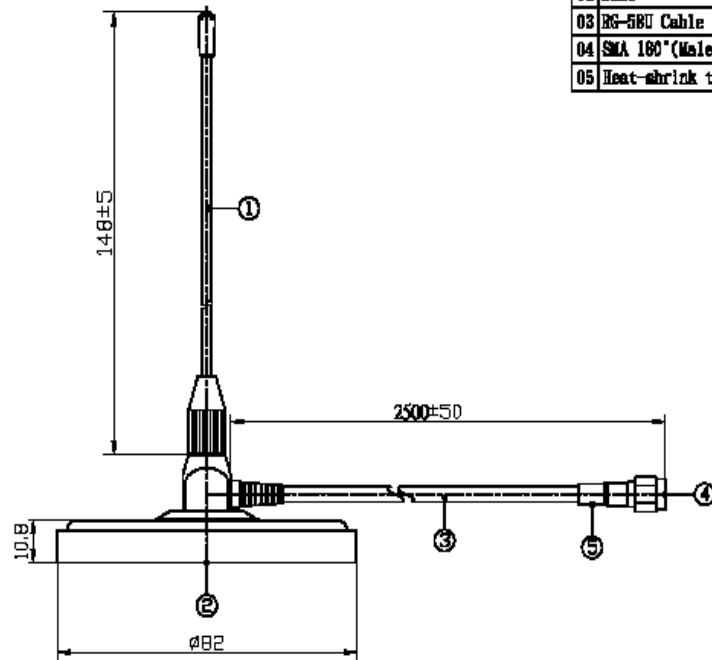
1. Electrica Properties


Parameter	Description
Frequency Band	433Mhz
Nominal Impedance	50 ohm
Polarization	Vertical
Electrical Wave	$1/2 \lambda$ Dipole
Return Loss	Please See Data-1
V.S.W.R	2.0:1
Antenna Average Gain	0dBi

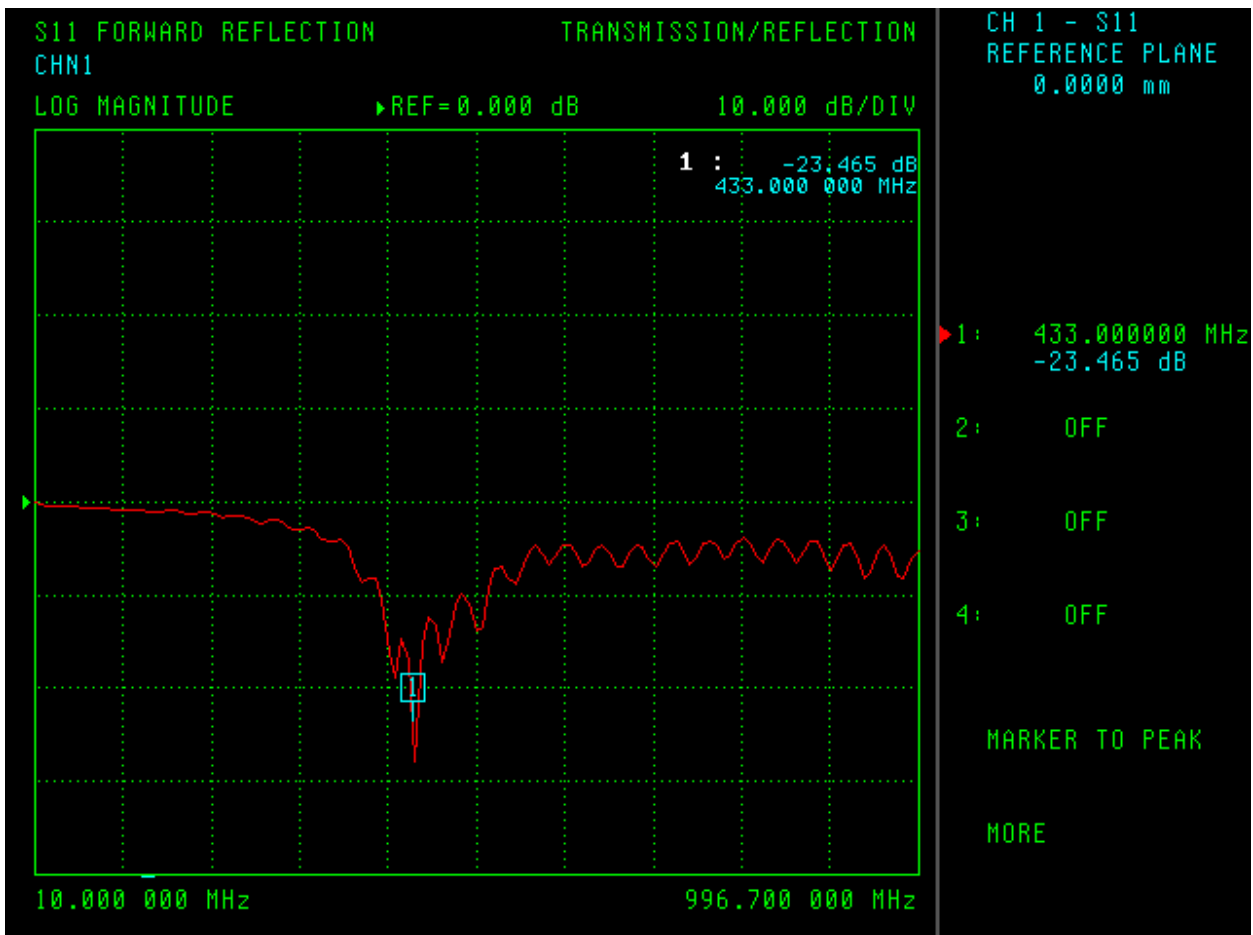
2. Mechanical Properties

Parameter	Description
Antenna Type	External Antenna
Touch Type	Magnet Type
Connector Type	SMA 180°-Type
Antenna Dimensions	148 mm \pm 3
Antenna Cable Total Length	2500 mm \pm 20
Antenna Color	Black
Operating Temperature Range	-20°C~+60°C
Storage Temperature Range	-30°C~+70°C

NO.	NAME	FINISH	Q. TY
01	Whip	Black	01
02	Base	Black	01
03	RG-58U Cable	Black	01
04	SMA 100 (Male)	Nickel plating	01
05	Heat-shrink tube	Black	01



 Third angle projection	CUSTOMER'S	MODEL	PARTS NUMBER	FREQUENCY	UNIT	SCALE	DATE	VERSION
					433MHz	M/M		20090909
	TOLERANCE	X.XX±0.15	NAME	PARTS NUMBER	APPROVED	CHECKED	DRAWING	DESIGNED
	SURFACE ROUGHNESS	\sqrt{R}	APPEARANCE					



S11 FORWARD REFLECTION

TRANSMISSION/REFLECTION

CHN1

SWR

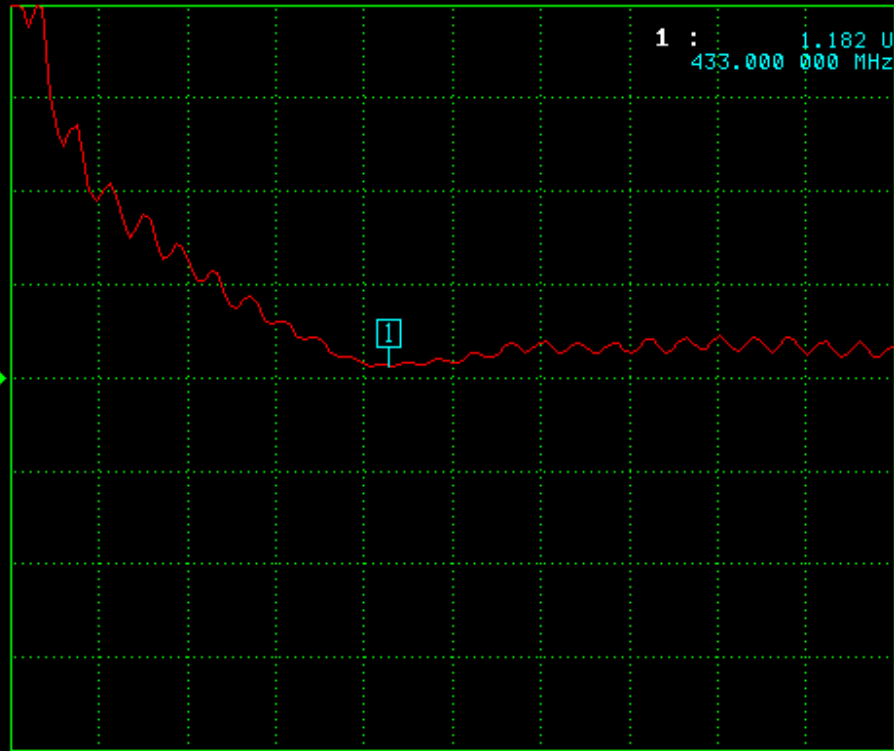
REF=0.000 pU

10.000 U/DIV

CH 1 - S11

REFERENCE PLANE

0.0000 mm



10.000 000 MHz

996.700 000 MHz

1: 433.000000 MHz
1.182 U

2: OFF

3: OFF

4: OFF

MARKER TO PEAK

MORE