

DVBT ANTENNA

Model : TH-700



1. GENERAL DESCRIPTION

Model No	
	TH-700-BNC(M)

Below is a table summarizing the antenna design specification.

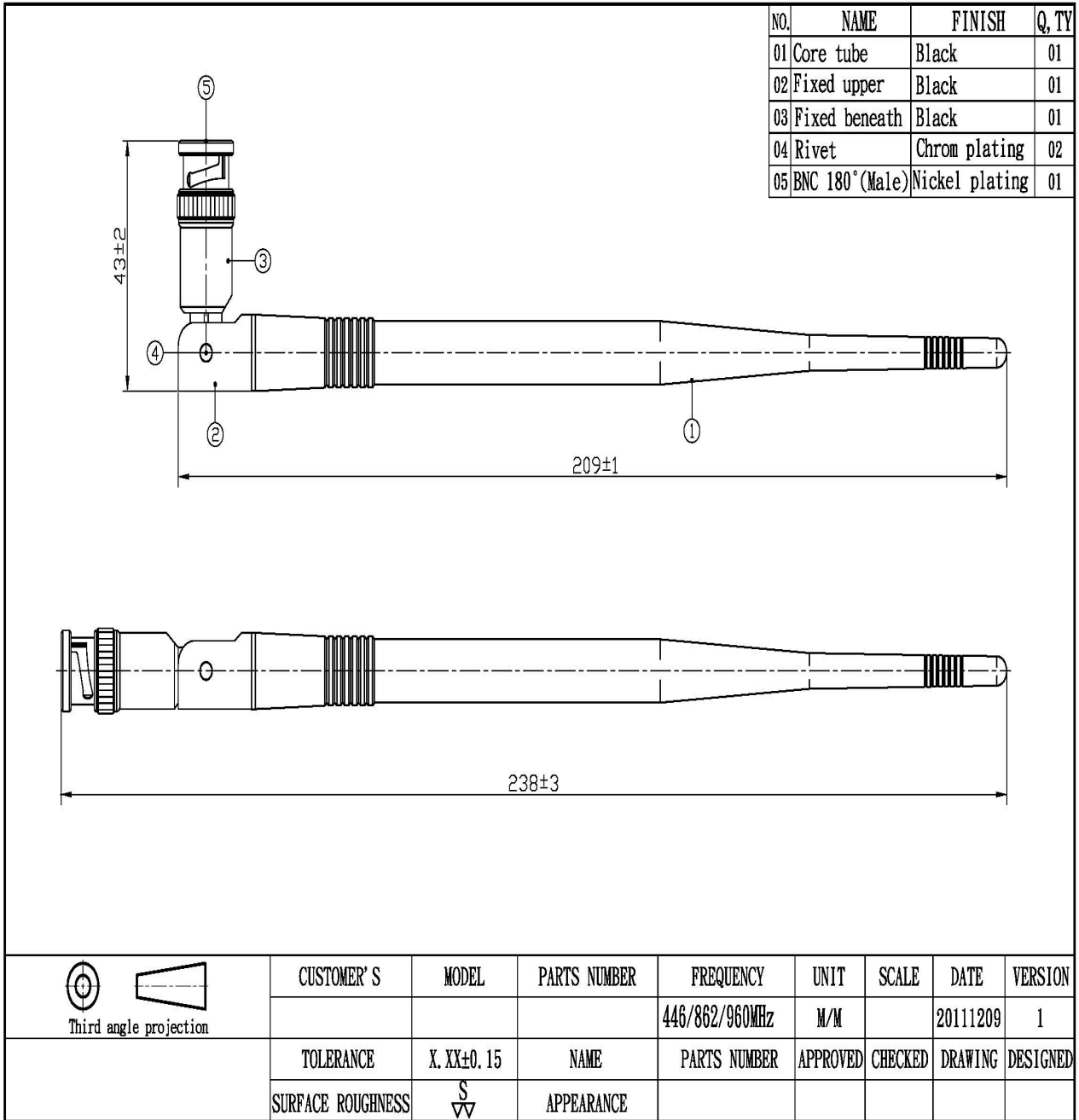
1.1 Electrical Properties

Parameter	Description
Frequency Band	446/862/960 MHz
Nominal Impedance	50 ohm
Polarization	Vertical
Return Loss	Please See Data-1
V.S.W.R	2.0:1
Note: Gain includes the cable loss	

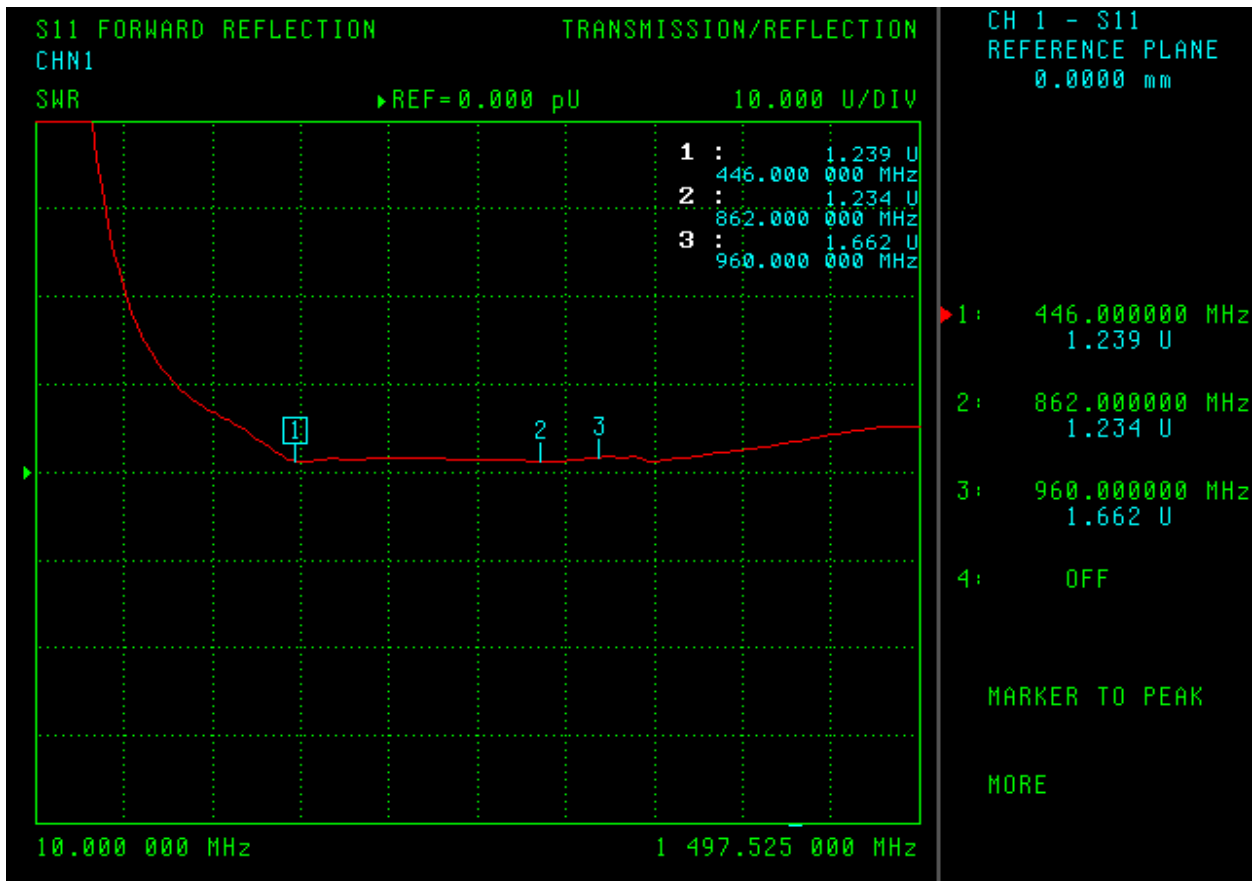
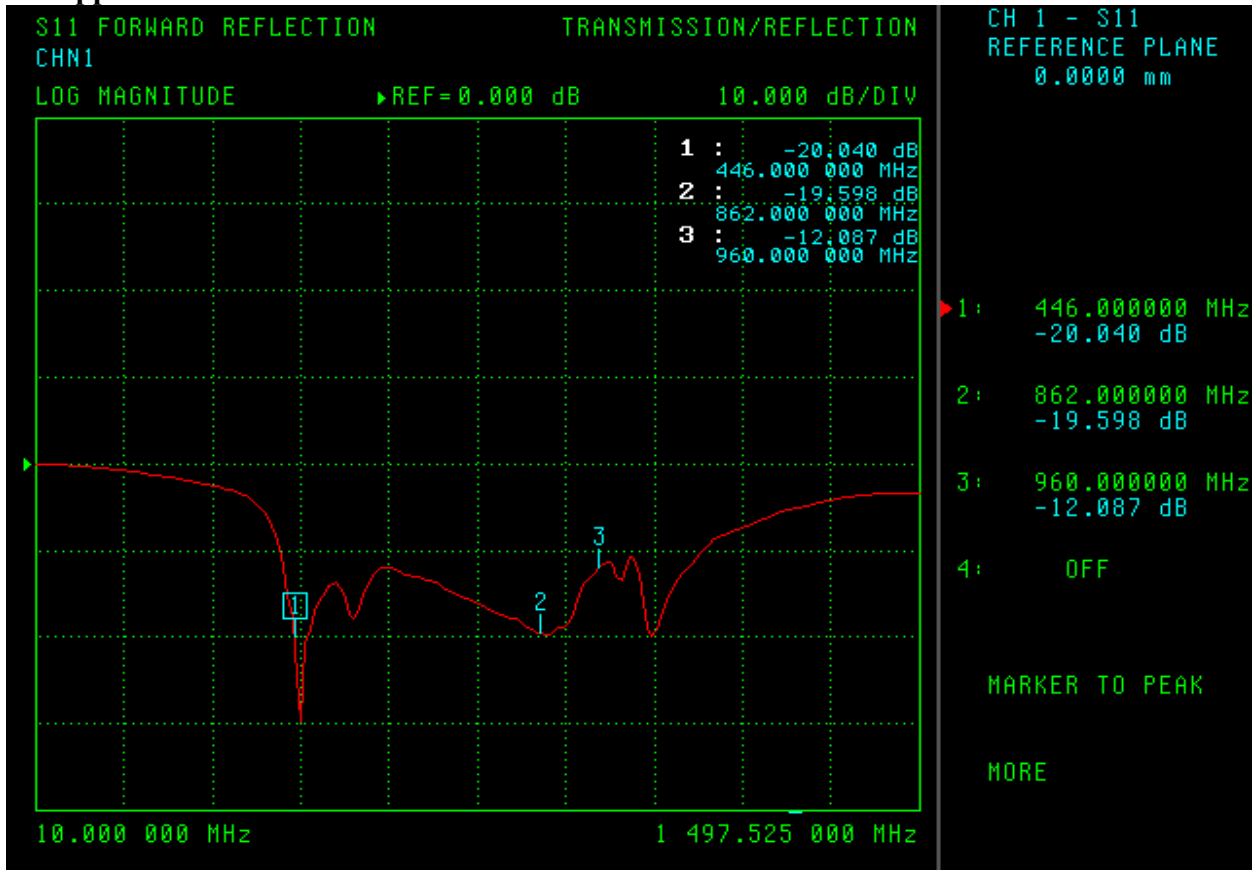
1.2 Mechanical Properties

Parameter	Description
Antenna Type	External Antenna
Antenna Cover	TPR
Touch Type	Screw Type
Connector Type	BNC 180°
Antenna Dimensions	238mm±3
Antenna Color	Black
Operating Temperature Range	-20°C~+60°C
Storage Temperature Range	-30°C~+70°C

2. Appearance



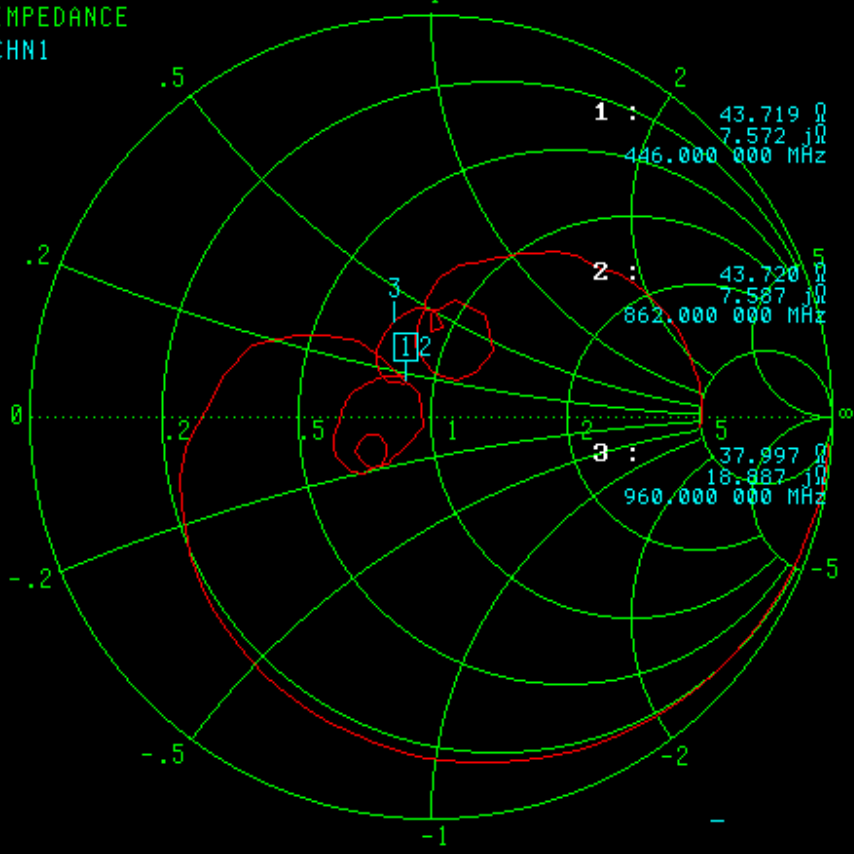
3. Appearance



S11 FORWARD REFLECTION
IMPEDANCE
CHN1

TRANS/REFL

CH 1 - S11
REFERENCE PLANE
0.0000 mm



- 1: 446.000000 MHz
43.719 Ω
7.572 $j\Omega$
- 2: 862.000000 MHz
43.720 Ω
7.587 $j\Omega$
- 3: 960.000000 MHz
37.997 Ω
18.887 $j\Omega$
- 4: OFF

MARKER TO PEAK

MORE

10.000 000 MHz - 1 497.525 000 MHz