

DVBT Active Antenna

Model : DA-170A



1. GENERAL DESCRIPTION

P/N
DA170A-5M-F(M)

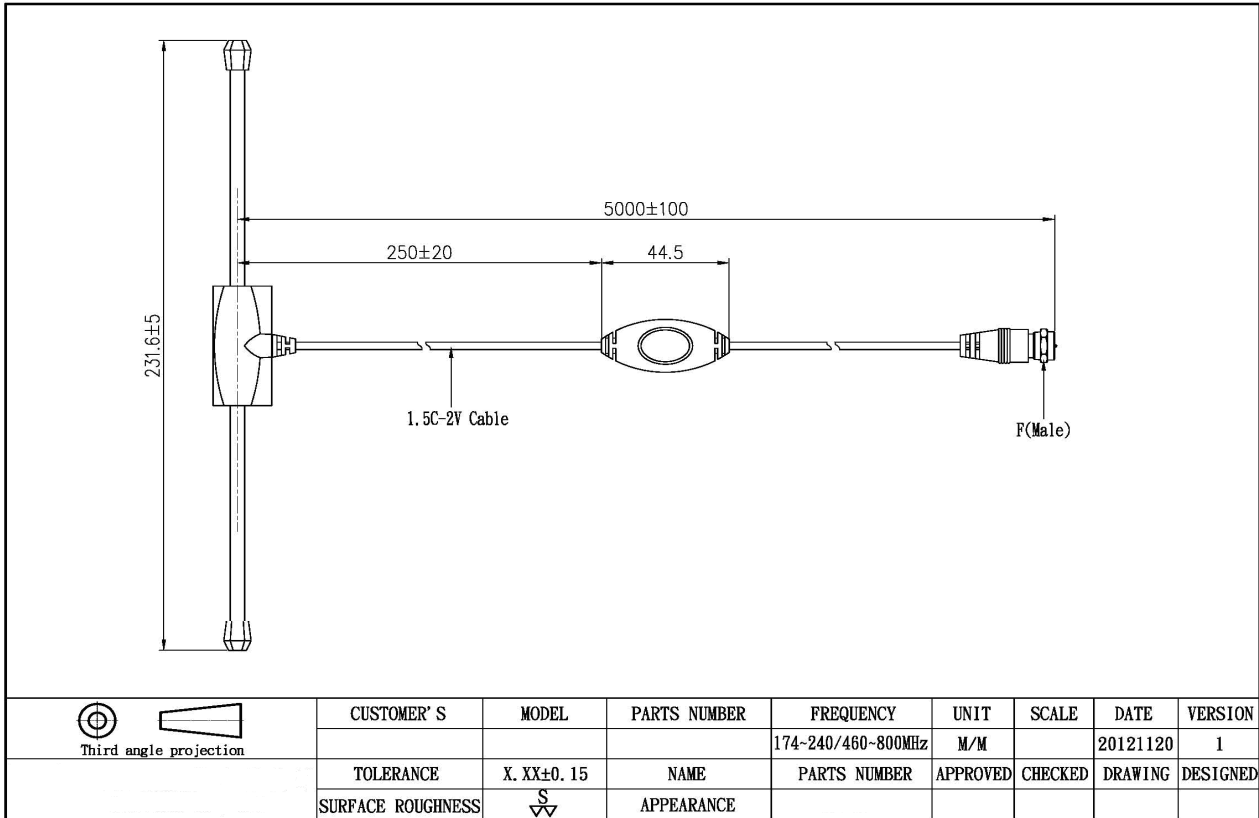
1.1 Electrical Properties

Parameter	Description
Frequency Band	174~240/460~800 MHz
Nominal Impedance	50 ohm
Polarization	Vertical
Return Loss	Please See Data-1
V.S.W.R	6.3:1

1.2 Mechanical Properties

Parameter	Description
Antenna Type	External Antenna
Antenna Cover	
Touch Type	3M Type
Connector Type	F 180°(Male)
Antenna Dimensions	5000mm±100
Antenna Color	Black
Operating Temperature Range	-20°C~+60°C
Storage Temperature Range	-30°C~+70°C

2. APPEARANCE:



3. Return Loss, V.S.W.R. and Smith Chart

