

DVBT Active Antenna

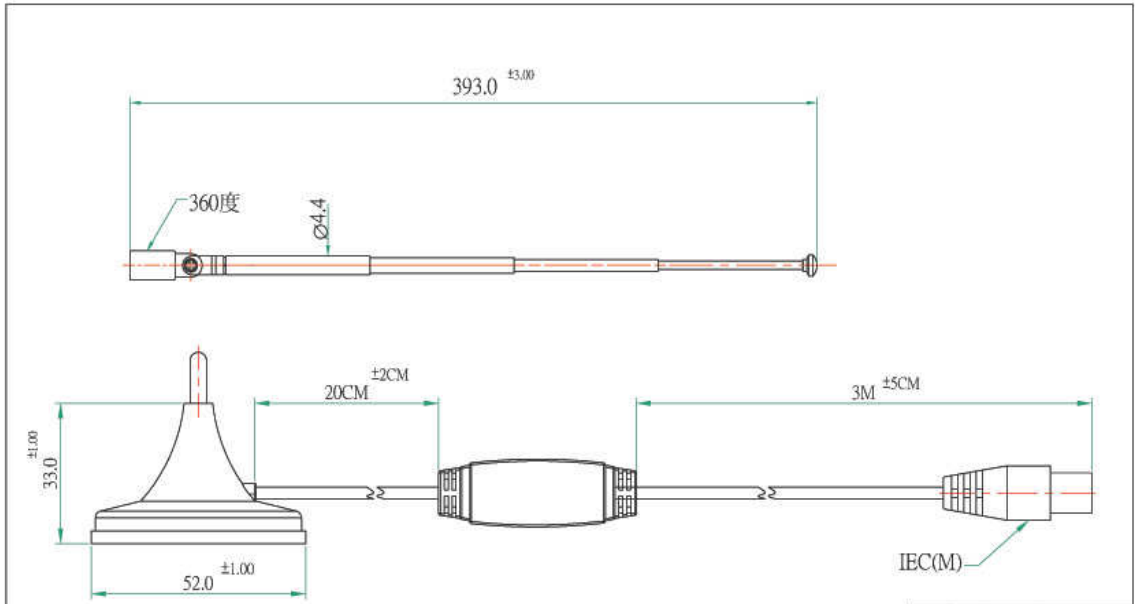
MODEL: DA-130



Specifications:

Frequency range:	VHF+UHF 170~240Mhz with 480~860Mhz
Gain:	16 dBi (Max)
V.S.W.R:	2.0:1
Impedence:	75 ohm
Voltage	5V
Cable	RG174 -3M or 5M
Connector:	F / IEC / SMA----
Dimension:	Magnet Base : OD52mm x 33mm Antenna : 4.4mm x 132.5mm(Shorten) (360° Rotate) 4.4mm x 393mm(Stretch)
Weight:	100g

* This specification is subject to change without prior notice



版次 Revision	△	年月日 yy mm dd	變更記号 Notes
1			

圖名 Drawing Name	成品圖 Finished product Drawing	圖號 Drawing No.	DA-130-IEC	電腦檔名 Computer File Name	D:\共用圖 D:\common Drawing\00	繪圖 Drawing By	JENNY 971117	核准 Checked By	單位 Unit	mm	材質 Material			
									比例 Proportion	1:1	表面處理 Surface Proceeding			