

RFID ANTENNA

Model : TH-915FA



1. GENERAL DESCRIPTION

Model No
TH915FA-RPSMA90(M)

Below is a table summarizing the antenna design specification.

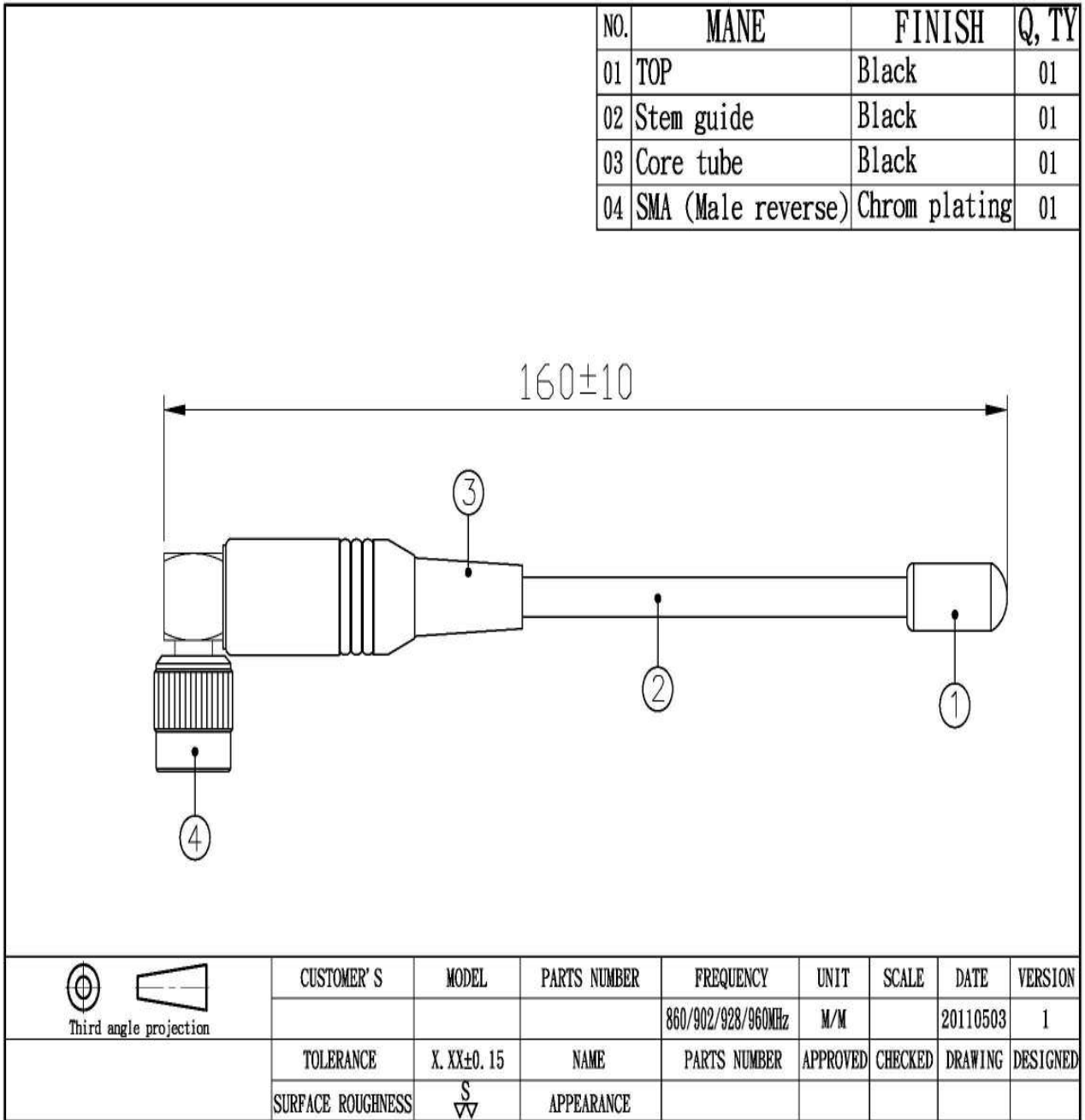
1.1 Electrical Properties

Parameter	Description
Frequency Band	860/902/928/960 MHz
Nominal Impedance	50 ohm
Polarization	Vertical
Return Loss	Please See Data-1
V.S.W.R	2.0 : 1
Note: Gain includes the cable loss	

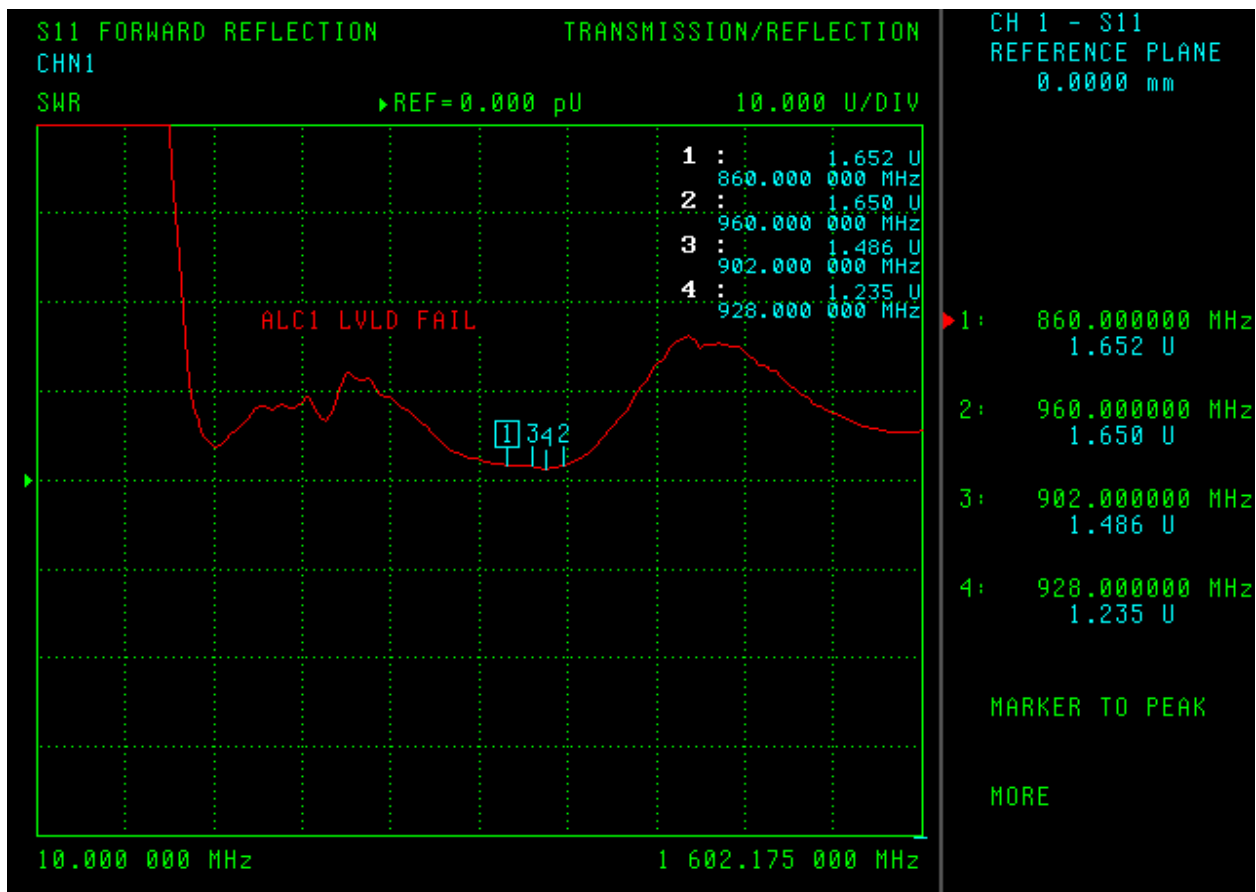
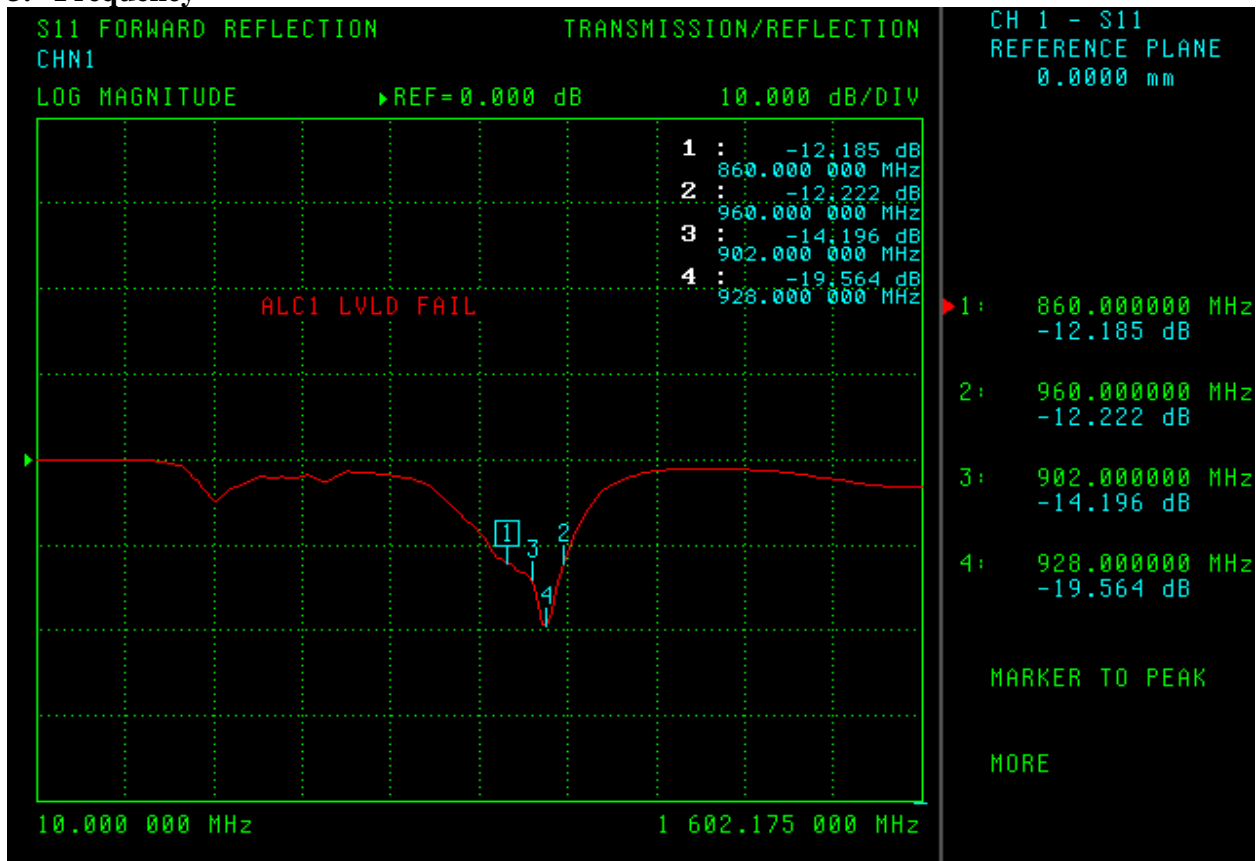
1.2 Mechanical Properties

Parameter	Description
Antenna Type	External Antenna
Touch Type	Screw Type
Connector Type	SMA 90° (Male reverse)
Antenna Dimensions	160 mm ± 10
Antenna Color	Black
Operating Temperature Range	-20°C~+60°C
Storage Temperature Range	-30°C~+70°C

2. Appearance



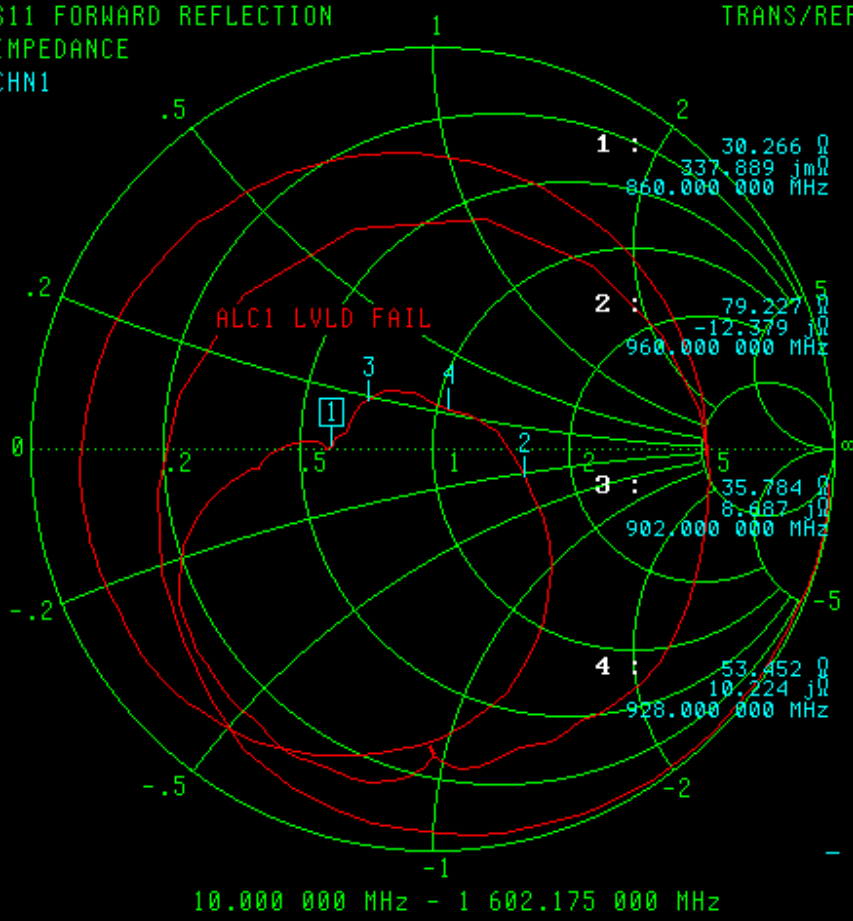
3. Frequency



S11 FORWARD REFLECTION
IMPEDANCE
CHN1

TRANS/REFL

CH 1 - S11
REFERENCE PLANE
0.0000 mm



- 1: 860.000000 MHz
30.266 Ω
337.889 $j\Omega$
- 2: 960.000000 MHz
79.227 Ω
-12.379 $j\Omega$
- 3: 902.000000 MHz
35.784 Ω
8.687 $j\Omega$
- 4: 928.000000 MHz
53.452 Ω
10.224 $j\Omega$

MARKER TO PEAK

MORE