

Outdoor 900Mhz Antenna

MODEL: MA-96A



1. GENERAL DESCRIPTION

Model No	P/N
MA-96A	MA96A-1.5M-SMA(M)

Below is a table summarizing the antenna design specification.

1.2 Electrica Properties

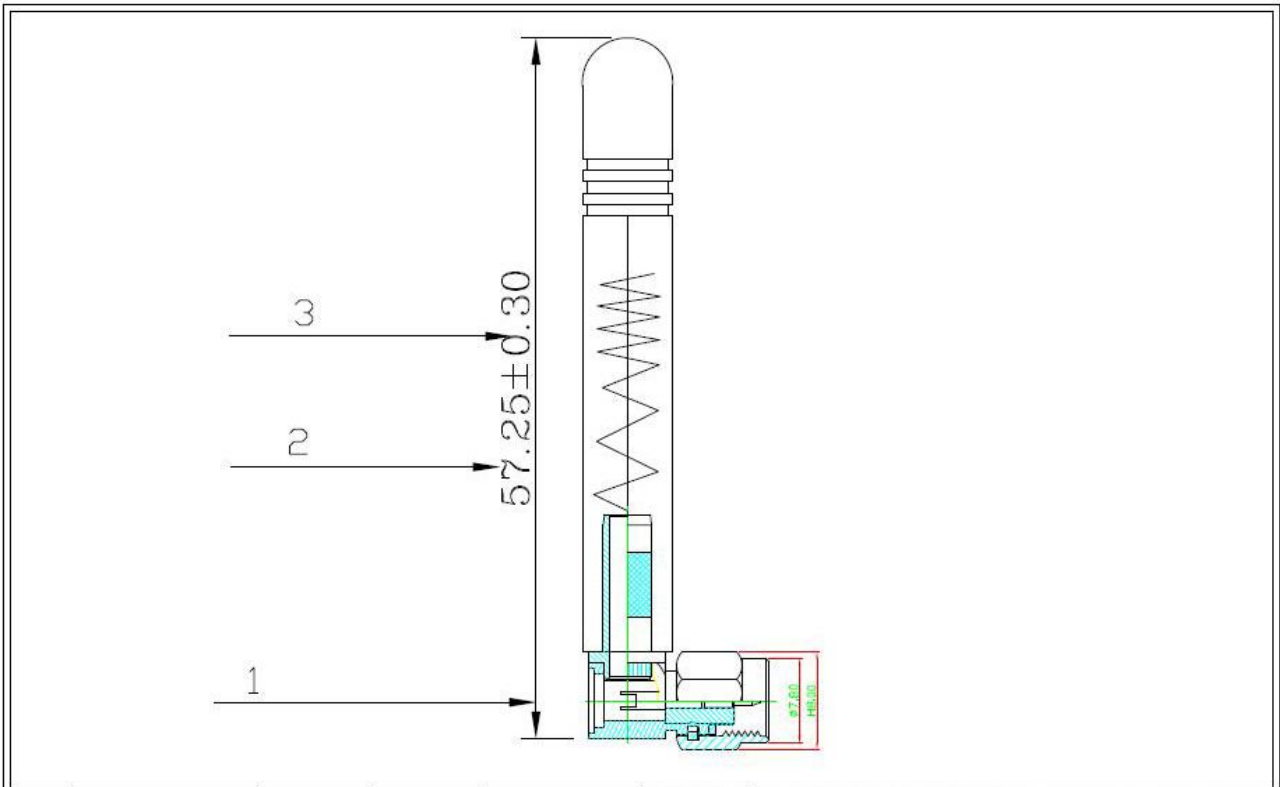
Parameter	Description
Frequency Band	860-960MHz
Nominal Impedance	50 ohm
Polarization	Vertical
Electrical Wave	Dipole
Return Loss	Please See Data-1
V.S.W.R	2.0:1
Antenna Average Gain	0~2dBi
Note: Gain includes the cable loss	

1.2 Mechanical Properties

Parameter	Description
Antenna Type	External Antenna
Touch Type	Screw Type
Connector Type	SMA(M)

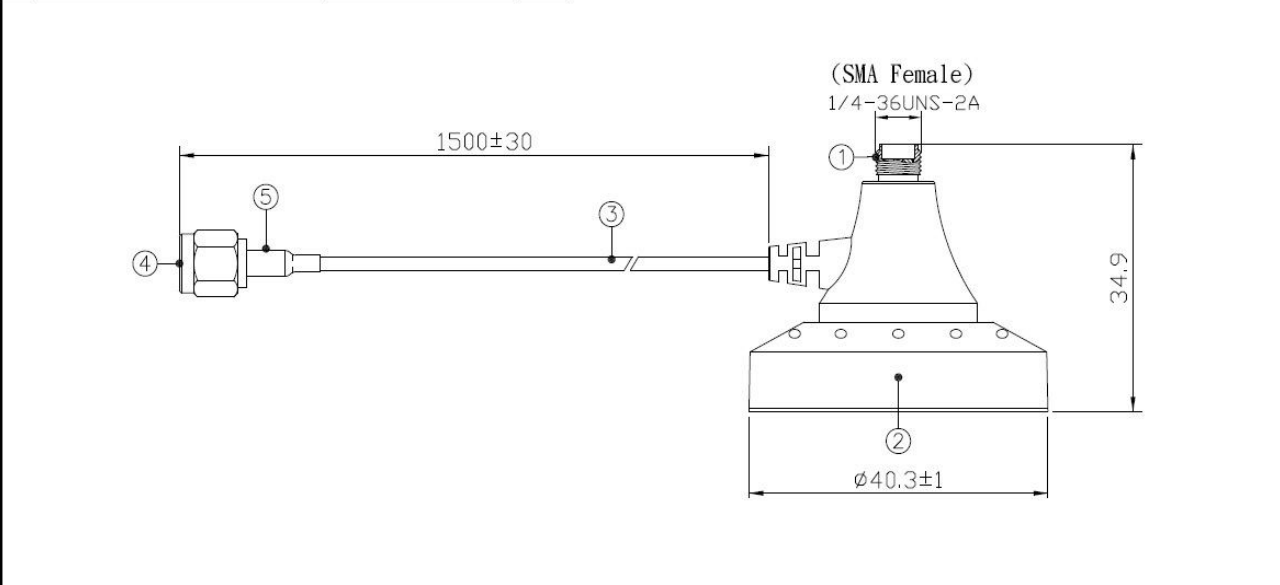
Antenna Dimensions	40.3(base OD) x 47.7(H) x 73.7(L)mm \pm 3
Antenna Cable Total Length	1500 mm \pm 20
Antenna Color	Black
Operating Temperature Range	-20°C~+60°C
Storage Temperature Range	-30°C~+70°C





				百展科技 www.bjtek.com.tw		百展科技有限公司 BJTEK NAVIGATION INC		TEL: 886-2-86720160 FAX: 886-2-86720161	
3	ROTARY SHAFT	BRASS	CR-BLACK	TITLE: GSM DIPOLE ANTENNA		DWC NO.: TH-30-SMA30			
2	ANT. COVER	TPU	BLACK	TOLERANCE: AS SPEC.		FINISH: SEE TABLE		DATE: 2008.05.23	
1	SMA CONN.	BRASS	GOLD-PLATED	MATERIAL: SEE TABLE		ISSUED: 787KEN		DRAWN: BILL	
ITEM	DESCRIPTION	MAT'L	FINISH	ITEM No.	CHECKED: LOTUS				

NO.	NAME	FINISH	Q, TY
01	SMA 180°(Female)	Colden plating	01
02	Base ABS	Black	01
03	RG-174 A/U Cable	Black	01
04	SMA 180°(Male)	Colden plating	01
05	Heat-shrink tube	Black	01



 Third angle projection	CUSTOMER'S	MODEL	PARTS NUMBER	FREQUENCY	UNIT	SCALE	DATE	VERSION
	TOLERANCE	X. XX±0.15	NAME	PARTS NUMBER	APPROVED	CHECKED	20130418	1
	SURFACE ROUGHNESS	\sqrt{R}	APPEARANCE					

2. Frequenc

