

# 2.4G Antenna

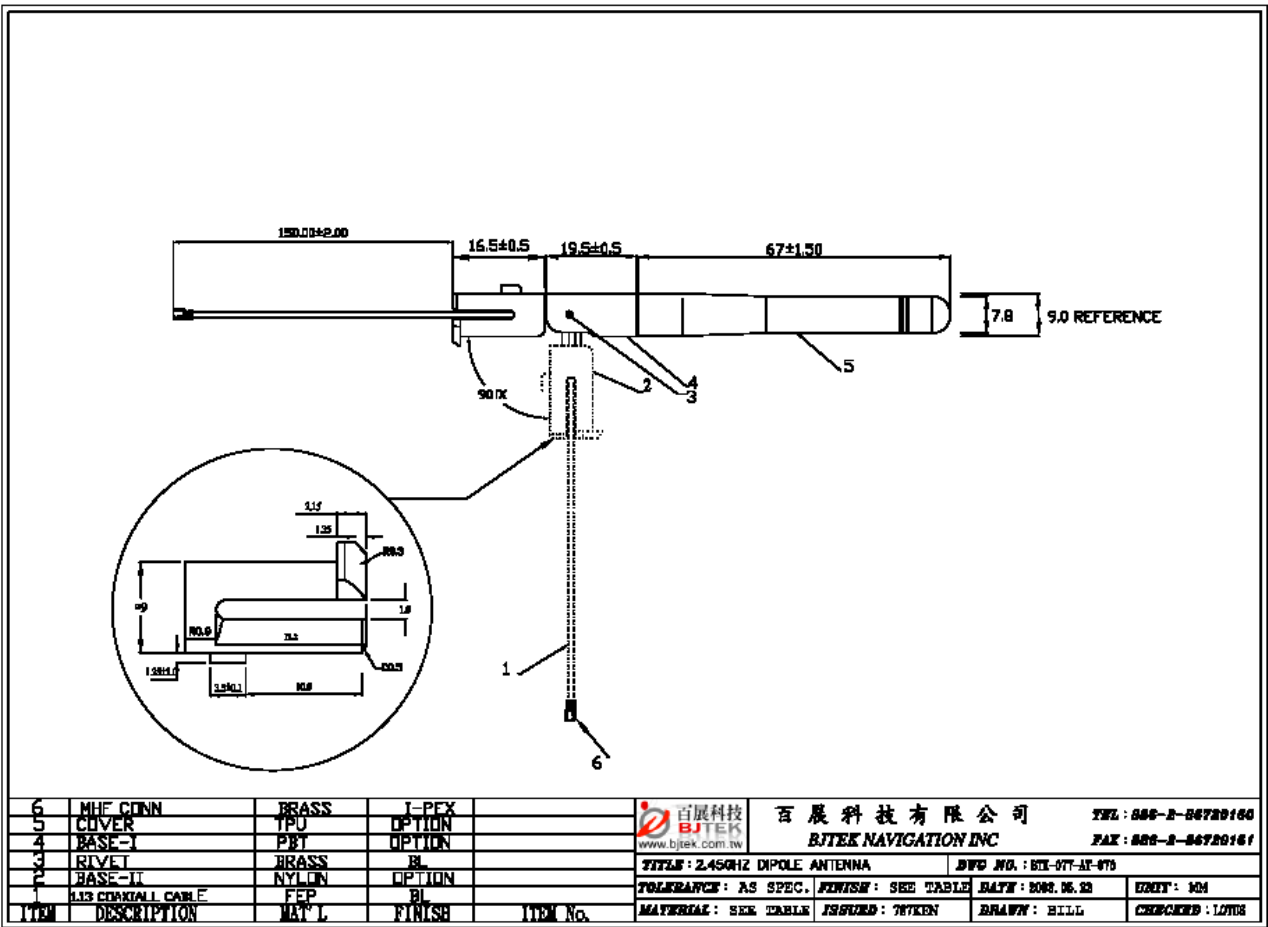
## MODEL: TH-96



### Specifications:

<b>Frequency range:</b>	2.4G ~ 2.5G
<b>Gain:</b>	2dBi
<b>V.S.W.R:</b>	2.0:1
<b>Impedence:</b>	50 ohm
<b>Connector:</b>	150mm + IPEX
<b>Dimension:</b>	9.0(Dia.) × 103 (L) mm
<b>Weight:</b>	>20g (With Connector)

\* This specification is subject to change without prior notice



13 May 2008 15:11:01

[CH1] RFL SWR 1 / REF 1 4: 9.3881 1 956.600 000 MHz

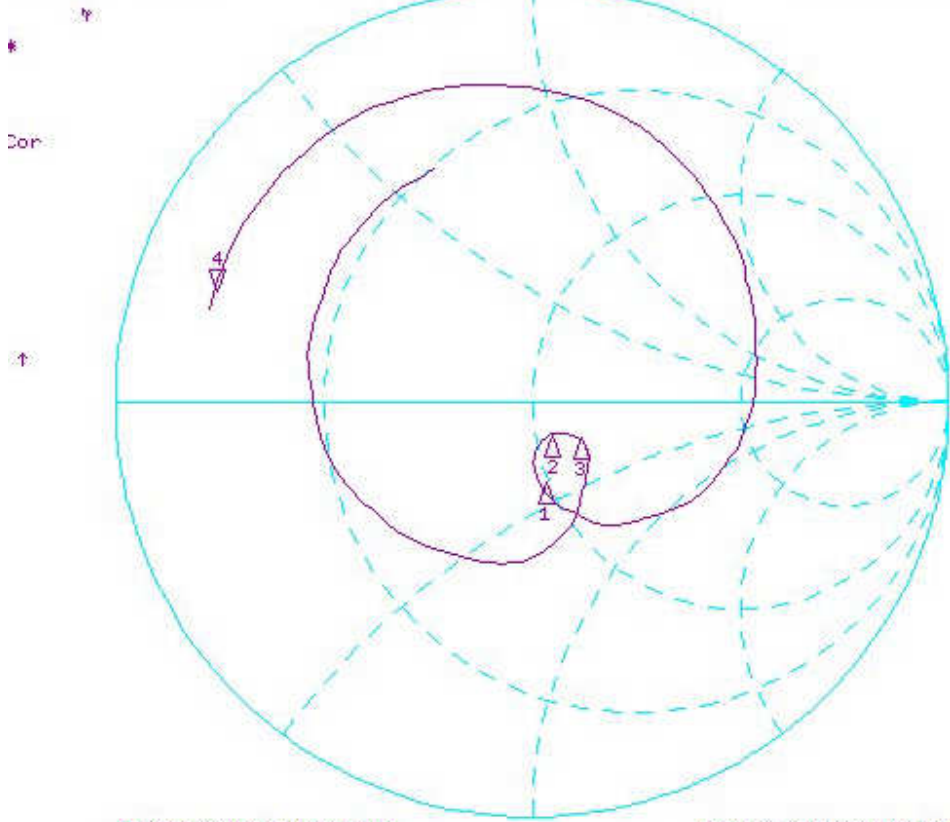


CH1 Markers  
 1: 1.5109  
 2.40000 GHz  
 2: 1.2143  
 2.45000 GHz  
 3: 1.3349  
 2.50000 GHz

CENTER 2 450.000 000 MHz

SPAN 1 000.000 000 MHz

13 May 2008 15:10:46  
 CH1 RFL 1 U FS 4: 5.4873  $\Omega$  8.4258  $\Omega$  685.38  $\mu$ H 1 956.600 000 MHz



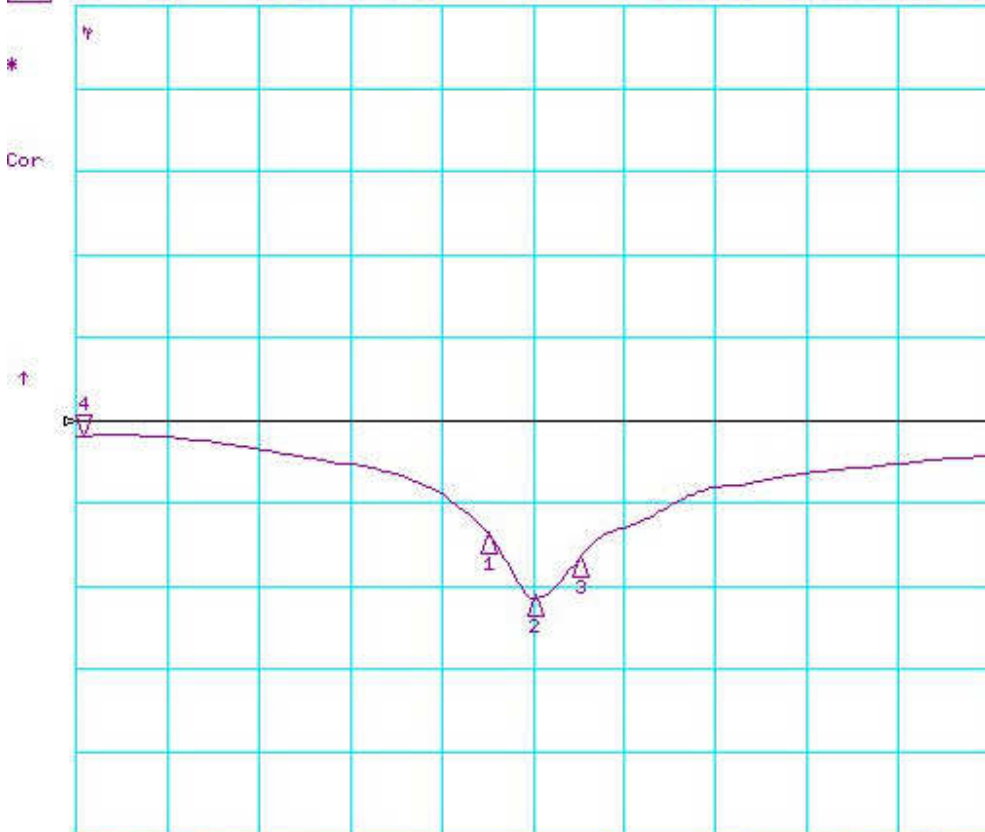
CH1 Markers

- 1: 48.758  $\Omega$   
 -20.270  $\Omega$   
 2.40000 GHz
- 2: 53.688  $\Omega$   
 -9.2070  $\Omega$   
 2.45000 GHz
- 3: 61.502  $\Omega$   
 -11.475  $\Omega$   
 2.50000 GHz

CENTER 2 450.000 000 MHz

SPAN 1 000.000 000 MHz

13 May 2008 15:10:26  
 CH1 RFL LOG 10 dB/REF 0 dB 4: -1.8612 dB 1 956.600 000 MHz



CH1 Markers

- 1: -13.703 dB  
 2.40000 GHz
- 2: -21.104 dB  
 2.45000 GHz
- 3: -16.592 dB  
 2.50000 GHz

CENTER 2 450.000 000 MHz

SPAN 1 000.000 000 MHz