

2.4/5.8G Dual Band Antenna

MODEL: TH-93

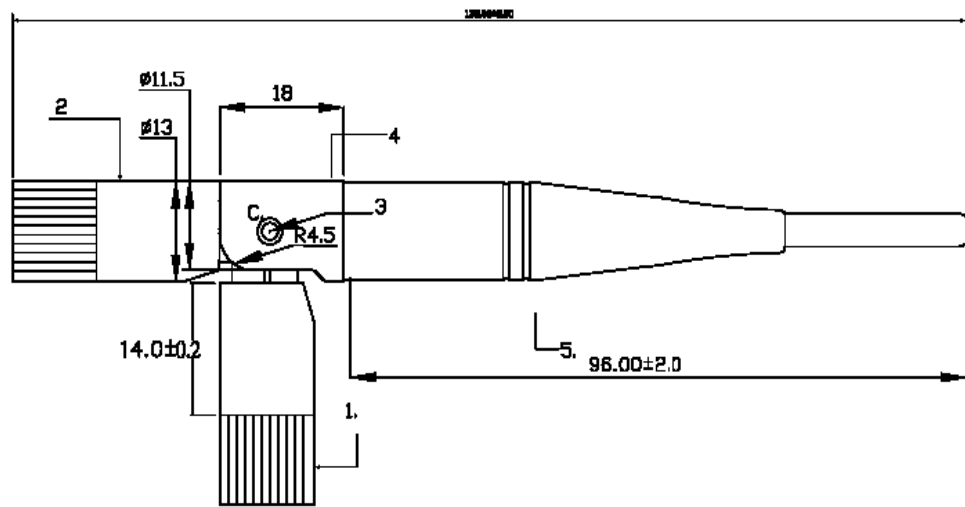
Swivel Omni-directional Antenna



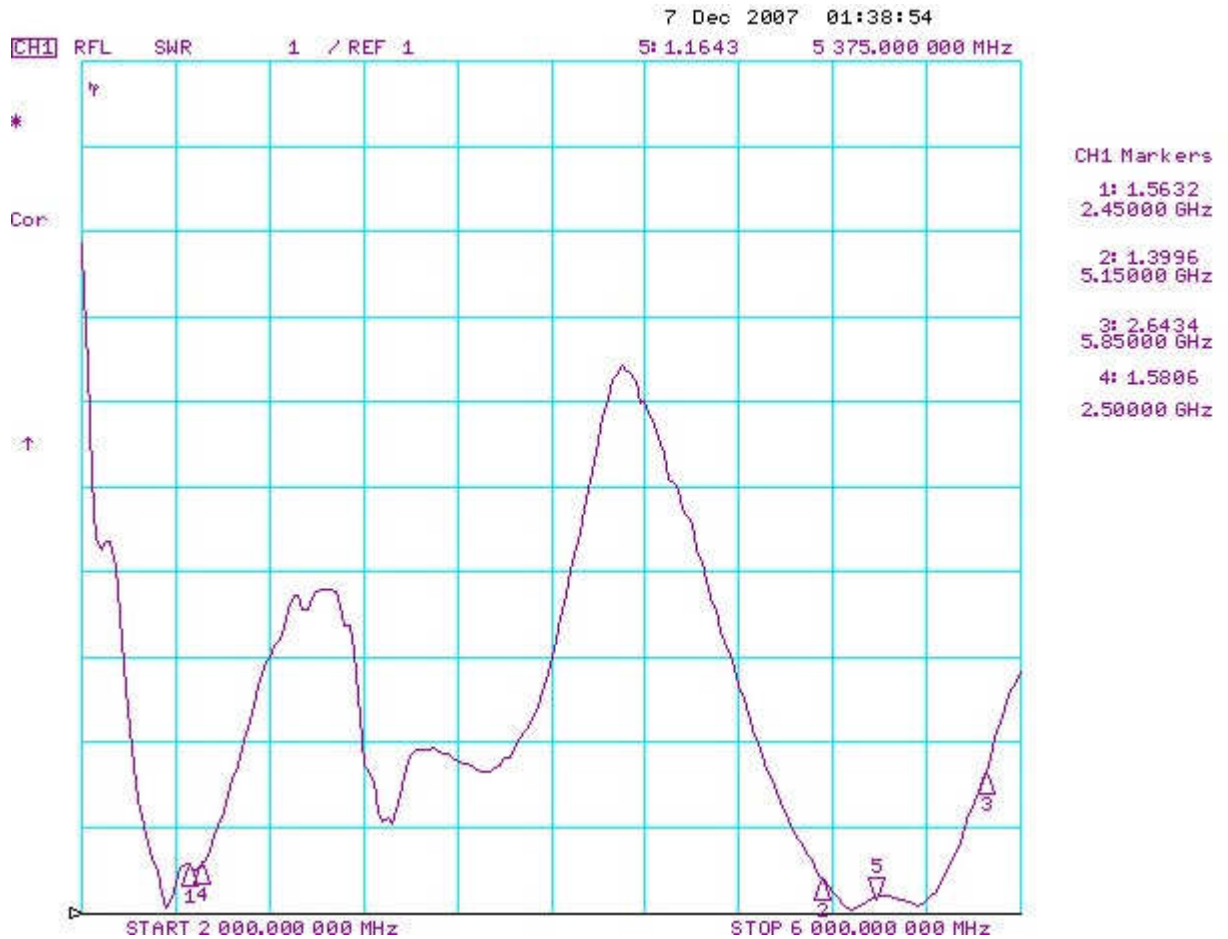
Specifications:

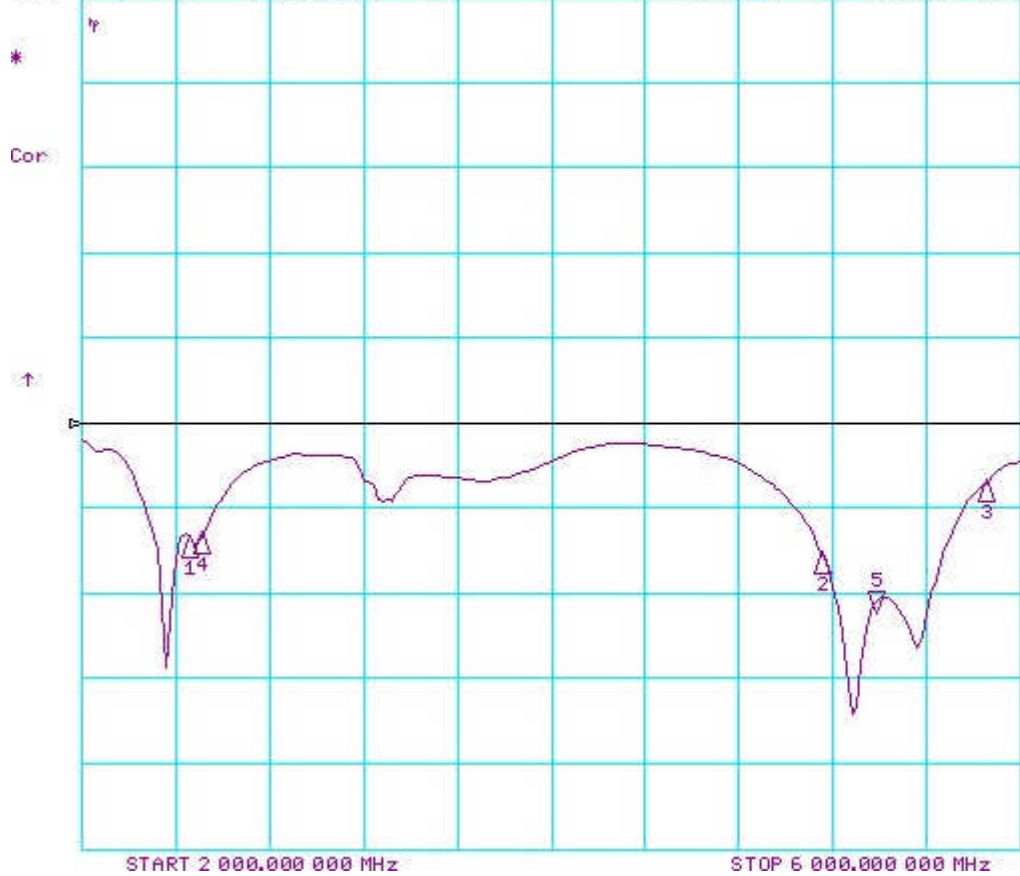
1.	WORKING FREQUENCY	2.400-2.500GHz 5.000-5.800GHZ
2.	ELECTRIC WAVE	1/2 λ : DIPOLE
3.	IMPEDANCE	50 Ohm , Nominal
4.	V.S.W.R	2.5
5.	GAIN	2.0 dBi
6.	RADIATION	0 mni
7.	POLARIZATION	VERTICAL
8.	POWER HANDLING	1 W MAX
9.	OPERATING TEMPERATURE	-20°C -- +50°C
10.	Connector	SMA / RPSMA
11.	Dimension:	13(Dia.) × 115 (H) mm

* This specification is subject to change without prior notice



5	ANT COVER	TPU	BLACK		 百展科技 BJTEK www.bjtek.com.tw	百展科技有限公司 BJTEK NAVIGATION INC	TEL: 886-8-88780180 FAX: 886-8-88780181
4	BASE-1	PC/ABS	BLACK				
3	BOLDF SHAFT	BRASS	CR-BLACK		TITLE: 2.4GHz-5GHz ANTENNA		DWF No.:
2	BASE-11	PC/ABS	BLACK		TOLERANCE: AS SPEC. FINISH: SEE TABLE		DATE: 2007.09.26
1	SMA CONN. P-P	BRASS	CR-BLACK		MATERIAL: SEE TABLE		UNIT: MM
ITEM	DESCRIPTION	MAT'L	FINISH	ITEM No.	ISSUED: 7/26/07		DRAWN: BILL CHECKED: LOTUS





CH1 Markers

1:-13.503 dB
2.45000 GHz

2:-15.419 dB
5.15000 GHz

3:-6.9413 dB
5.85000 GHz

4:-13.026 dB
2.50000 GHz