

# LTE/GSM/3G Antenna

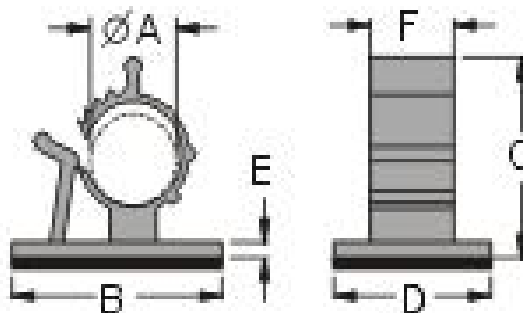
MODEL: TC-822A



## Specifications:

Frequency range:	700-824-960/1710-1990/1990-2170/2500-2700Mhz
Gain:	0 dBi
V.S.W.R:	3.0:1
Impedence:	50 ohm
Cable & Connector:	RG174-30cm-SMA(M)
Dimension:	9.3(Dia.) × 52 (L) mm
Weight:	50g (With 30cm cable)
Mounting	A:7.9~10.3 mm / B:25.4mm / C:22.2mm / D:19.1mm / E:1.6mm / F:10.2mm

\* This specification is subject to change without prior notice





Agilent Technologies: N9918A, SN: US52240463

Wed, 06 Mar 2013 7:25:36 PM

