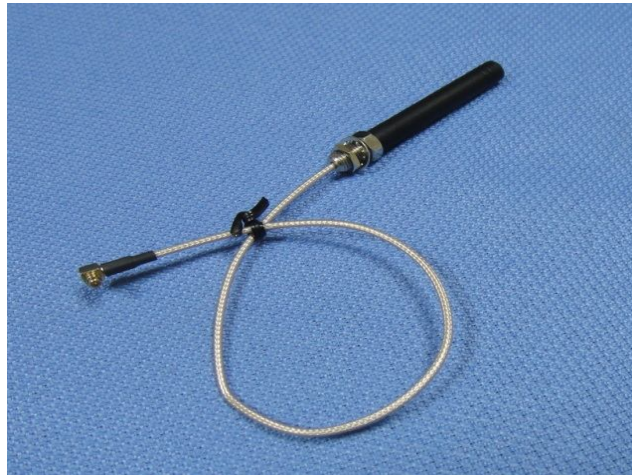


GSM ANTENNA

MODEL: TH-81TC



1.. GENERAL DESCRIPTION

Model No	P/N
TH81TC	TH81TC-50mm-MMCX90(M)

Below is a table summarizing the antenna design specification.

1.1 Electrical Properties

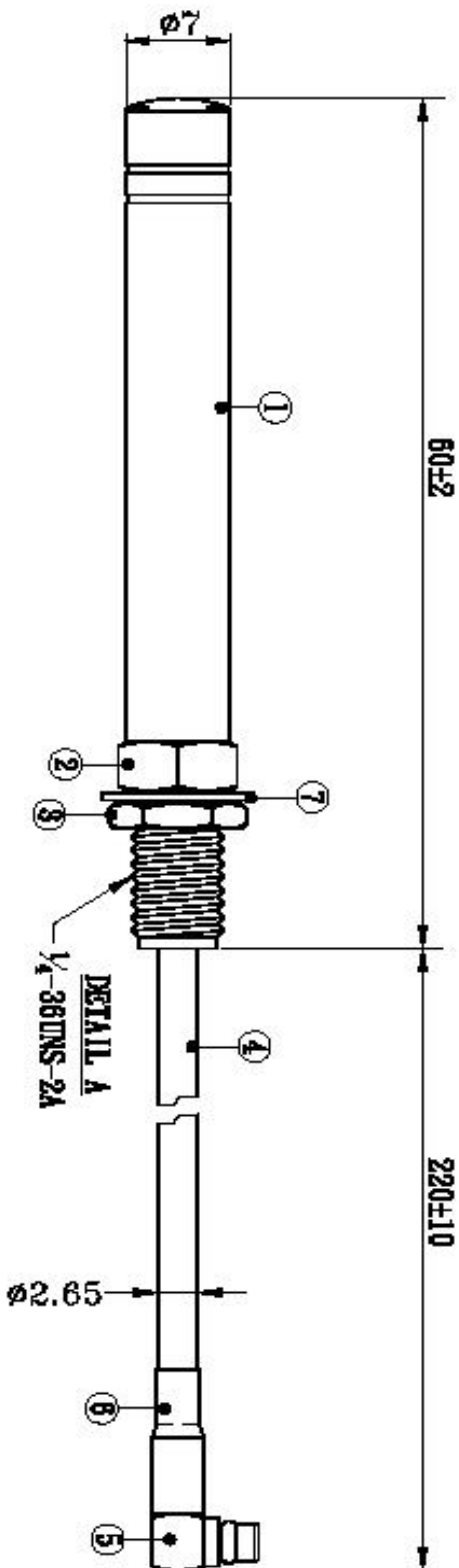
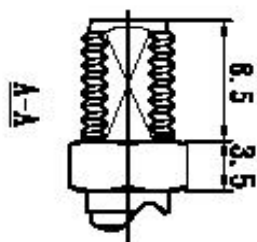
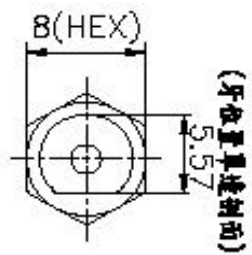
Parameter	Description
Frequency Band	824~960/1710~1990/1990~2170Mhz
Nominal Impedance	50 ohm
Polarization	Vertical
Electrical Wave	1 /4 λ
Admitted Power radiation	1W
V.S.W.R	4.0:1
Antenna Average Gain	0 dBi

Note: Gain includes the cable loss

1.2 Mechanical Properties

Parameter	Description
Antenna Type	External Antenna
Material	PVC
Touch Type	Screw Type
Connector Type	MMCX 90° (Male)
Antenna Dimensions	51.2mm \pm 2
Antenna Color	Black
Operating Temperature Range	-20°C~+60°C
Storage Temperature Range	-30°C~+70°C

NO.	NAME	FINISH	Q. TY
01	Core tube	Black	01
02	Antenna connector	Nickel plating	01
03	Nut hexagonal		01
04	RG-174 N/V Cable	Black	01
05	MNCX 90° (Male)	Golden plating	01
06	Heat-shrink tube	Black	01
07	washer		01



CUSTOMER'S		MODEL	PARTS NUMBER	FREQUENCY	UNIT	SCALE	DATE	VERSION
TOLERANCE		X XX+0.15	NAME	PARTS NUMBER	APPROVED	CHECKED	DRAWING	DESIGNED
SURFACE ROUGHNESS		▽	APPEARANCE					



