

Car GSM/3G/WIFI/WIMAX Antenna

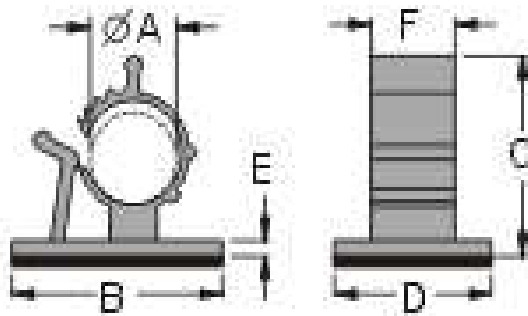
MODEL: TC-822

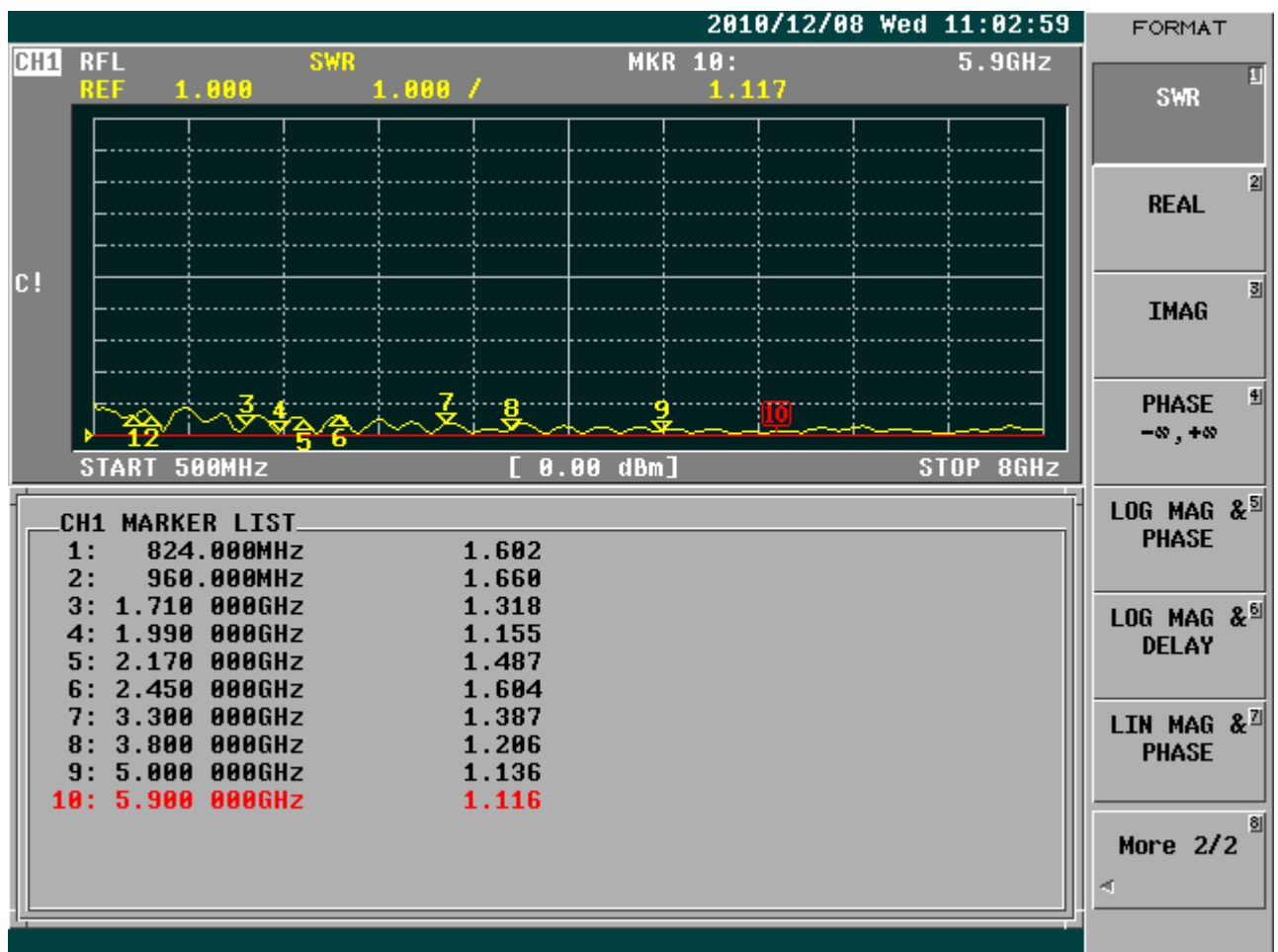
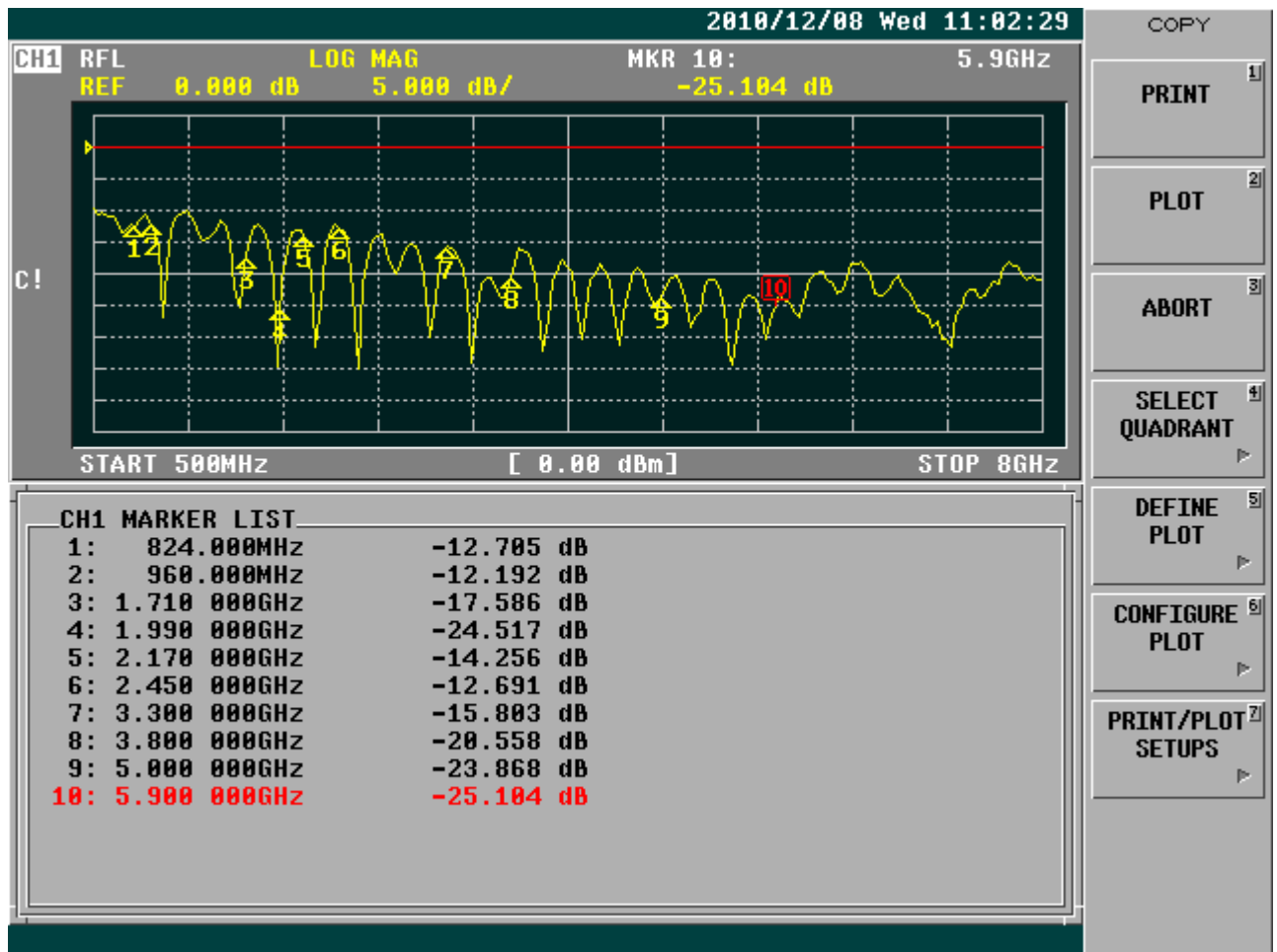


Specifications:

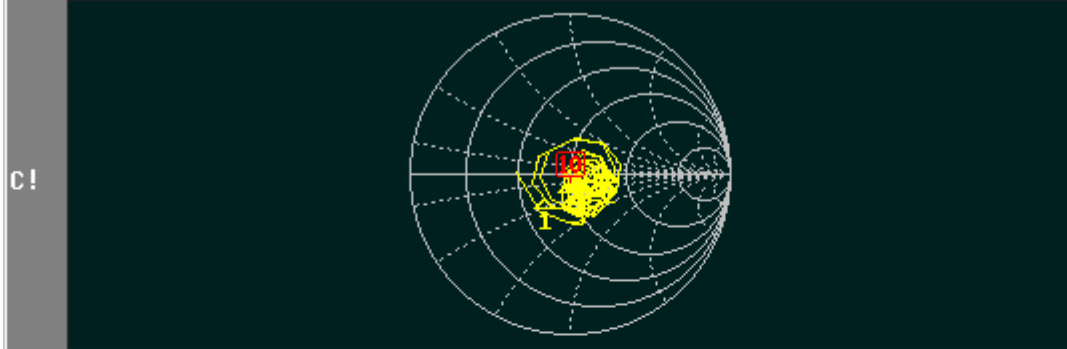
Frequency range:	824-960/1710-1990/1990-2170Mhz & 2.4-2.5G/3.3-3.8G/5.0-5.9Ghz
Gain:	0 dBi
V.S.W.R:	2.0:1
Impedence:	50 ohm
Cable & Connector:	RG174-5M-SMA(M)
Dimension:	9.3(Dia.) × 52 (L) mm
Weight:	50g (With 5M cable)
Mounting	A:7.9~10.3 mm / B:25.4mm / C:22.2mm / D:19.1mm / E:1.6mm / F:10.2mm

* This specification is subject to change without prior notice





CH1 RFL SMITH(R+jX) MKR 10: 5.9GHz
 FS 1.000 49.927 Ω -5.576 Ω



START 500MHz [0.00 dBm] STOP 8GHz

CH1 MARKER LIST

1:	824.000MHz	35.115 Ω	-10.862 Ω	17.781pF
2:	960.000MHz	81.099 Ω	1.659 Ω	275.086pH
3:	1.710 000GHz	53.612 Ω	-13.483 Ω	6.902pF
4:	1.990 000GHz	48.695 Ω	-6.498 Ω	12.306pF
5:	2.170 000GHz	71.338 Ω	9.406 Ω	689.901pH
6:	2.450 000GHz	79.163 Ω	7.206 Ω	468.165pH
7:	3.300 000GHz	66.586 Ω	-9.030 Ω	5.340pF
8:	3.800 000GHz	58.785 Ω	-5.277 Ω	7.936pF
9:	5.000 000GHz	55.494 Ω	-4.063 Ω	7.832pF
10:	5.900 000GHz	49.927 Ω	-5.576 Ω	4.837pF

FORMAT

LOG MAG

PHASE

DELAY

SMITH (R+jX)

SMITH (G+jB)

POLAR

LIN MAG

More 1/2