

CAR GSM Antenna

MODEL: TC-270

Inside Glass Antenna 850/900/1800/1900/2170 MHz



1. GENERAL DESCRIPTION

Model No	P/N
	TC-270

Below is a table summarizing the antenna design specification.

1.1 Electrical Properties

Parameter	Description
Frequency Band	824~960/ 1710~1990/1990~2170MHz
Nominal Impedance	50 ohm
Polarization	Vertical
Electrical Wave	1 / 2 λ Dipole
V.S.W.R	2.0:1
Antenna Average Gain	0~3.0dBi
Note: Gain includes the cable loss	

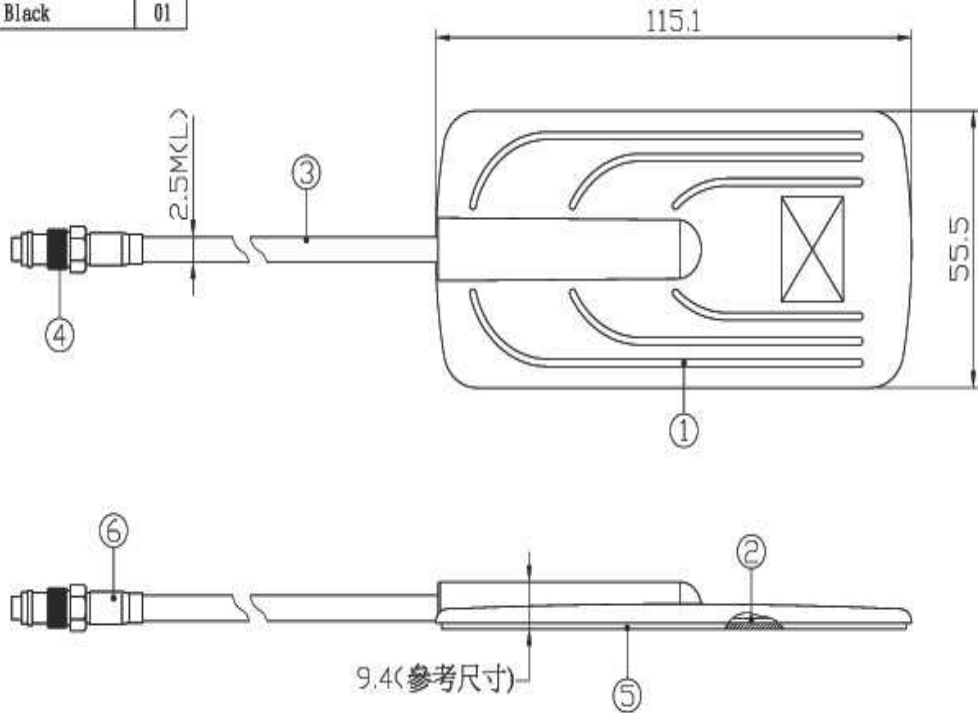
1.2 Mechanical Properties

Parameter	Description
Antenna Material	TPR
Connector Type	FME or SMA 180° male
Touch Type	3M stick cloth Type


Antenna Type	Inside Glass Antenna
Antenna Dimensions	115.1 x 55.5 mm ± 5
Antenna Cable Total Length	2500mm ± 10
Antenna Color	Black
Operating Temperature Range	-20°C~+60°C
Storage Temperature Range	-30°C~+70°C

2.Appearance

NO.	NAME	FINISH	Q, TY
01	Head TOP	Black	01
02	PCB		01
03	RG-58A/U Cable	Black	01
04	FME 180'(Female)	Nickel plating	01
05	Twin adhesive	Gray	01
06	Heat-shrink tube	Black	01



FREQUENCY: 750MHz-824-960/1710-1990/1990-2170MHz-2.4GHz

 Third angle projection	CUSTOMER'S	MODEL	PARTS NUMBER	FREQUENCY	UNIT	SCALE	DATE	VERSION
						M/M		20090205
	TOLERANCE	X.XX±0.15	NAME	PARTS NUMBER	APPROVED	CHECKED	DRAWING	DESIGNED
	SURFACE ROUGHNESS	$\frac{S}{\sqrt{V}}$	APPEARANCE					

3. FREQUENCY

