

Marine Iridium Passive Antenna

MODEL: MA-620I



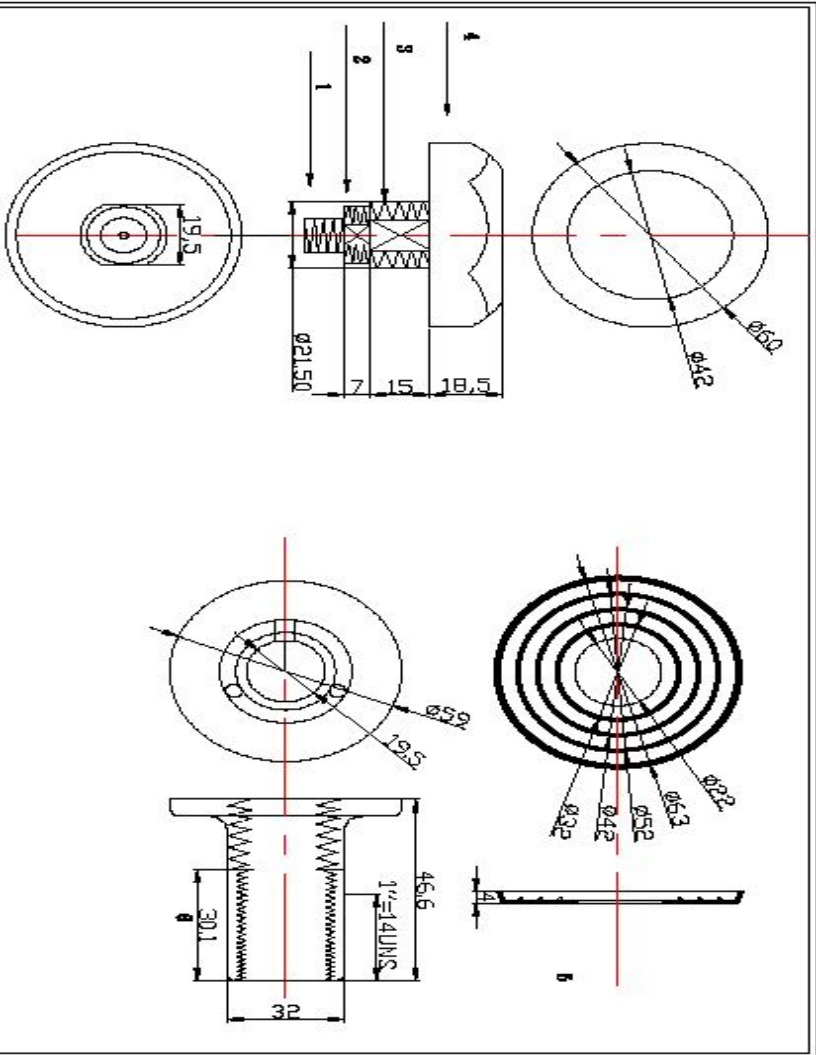
Antenna Size : 60mm(Dia) × 70mm(H)

This series of Iridium antennas is specifically designed to provide excellent coverage in the 1610 to 1630 MHz range.

Specifications	
Antenna Element	
Center Frequency	1610-1630Mhz
Polarization	R.H.C.P. (Right Handed Circular Polarization)
Absolute Gain @ Zenith	+5 dBi typical Based on 70×70mm ground plane
Axial Ratio	3 dB max.
Output VSWR	1.5:1 Typ.
Output Impedance	50 ohm
Environmental Conditions	
Operating Temperature	-30°C to +80°C
Storage Temperature	-40°C to +100°C
Relative Humidity	40% to 95% non-condensing
Water Resistance	100% waterproof
Physical Constructions	
Dimensions	Antenna : 60mm(Dia.) × 70mm(H)
Weight	65 grams (without cable)
Mounting	Bulkhead mount with 0.8 inch threaded wing nut (standard accessory).
Mounting Adapters	Pole mount to 1"-14 UNS threaded mast
Base mounting	FB1 1"-14 UNS
Cable & Connector	
RF Cable	Without cable
Cable Pulling strength	12Kg for 5sec.
Connector available	SMA(F) / TNC(F)

* This specification is subject to change without prior notice

Data Updated: MAR 05, 2013



7	Material specification for 1/4" UNF threaded brass - 316TiB plastic HVF			
6	Material specification for 1/4" UNF threaded brass - 316TiB plastic HVF			
5	Material specification for 1/4" UNF threaded brass - 316TiB plastic HVF			
4	Material specification for 1/4" UNF threaded brass - 316TiB plastic HVF			
3	Material specification for 1/4" UNF threaded brass - 316TiB plastic HVF			
2	Material specification for 1/4" UNF threaded brass - 316TiB plastic HVF			
1	Material specification for 1/4" UNF threaded brass - 316TiB plastic HVF			
DESCRIPTION		REV.	DATE	APP. NO.
百展科技有限公司				
BIZTEK MANUFACTURING INC				
7777A : 028 Permanent Mount Antenna		DWG NO. 7777A/028/0000-0000		
7777B : 028 Permanent Mount Antenna		DWG NO. 7777B/028/0000-0000		
7777C : 028 Permanent Mount Antenna		DWG NO. 7777C/028/0000-0000		
7777D : 028 Permanent Mount Antenna		DWG NO. 7777D/028/0000-0000		
7777E : 028 Permanent Mount Antenna		DWG NO. 7777E/028/0000-0000		
7777F : 028 Permanent Mount Antenna		DWG NO. 7777F/028/0000-0000		
7777G : 028 Permanent Mount Antenna		DWG NO. 7777G/028/0000-0000		
7777H : 028 Permanent Mount Antenna		DWG NO. 7777H/028/0000-0000		
7777I : 028 Permanent Mount Antenna		DWG NO. 7777I/028/0000-0000		
7777J : 028 Permanent Mount Antenna		DWG NO. 7777J/028/0000-0000		
7777K : 028 Permanent Mount Antenna		DWG NO. 7777K/028/0000-0000		
7777L : 028 Permanent Mount Antenna		DWG NO. 7777L/028/0000-0000		
7777M : 028 Permanent Mount Antenna		DWG NO. 7777M/028/0000-0000		
7777N : 028 Permanent Mount Antenna		DWG NO. 7777N/028/0000-0000		
7777O : 028 Permanent Mount Antenna		DWG NO. 7777O/028/0000-0000		
7777P : 028 Permanent Mount Antenna		DWG NO. 7777P/028/0000-0000		
7777Q : 028 Permanent Mount Antenna		DWG NO. 7777Q/028/0000-0000		
7777R : 028 Permanent Mount Antenna		DWG NO. 7777R/028/0000-0000		
7777S : 028 Permanent Mount Antenna		DWG NO. 7777S/028/0000-0000		
7777T : 028 Permanent Mount Antenna		DWG NO. 7777T/028/0000-0000		
7777U : 028 Permanent Mount Antenna		DWG NO. 7777U/028/0000-0000		
7777V : 028 Permanent Mount Antenna		DWG NO. 7777V/028/0000-0000		
7777W : 028 Permanent Mount Antenna		DWG NO. 7777W/028/0000-0000		
7777X : 028 Permanent Mount Antenna		DWG NO. 7777X/028/0000-0000		
7777Y : 028 Permanent Mount Antenna		DWG NO. 7777Y/028/0000-0000		
7777Z : 028 Permanent Mount Antenna		DWG NO. 7777Z/028/0000-0000		

