

# Marine GPS/VHF Antenna

**MODEL: GVA-620**

**FOR Marine VHF Radio & AIS SYSTEM & Orbcomm**



## GPS antenna Specifications: GA62

PHYSICAL CONDITION	
Constructions:	Polycarbonate radome, detachable cable/connector for easy mount, rubber-O-ring between top radome and screw base for waterproof
Dimensions:	60mm(Dia.) x 18.5mm(H)
Weight:	65grams (w/o cable & connector).
Color:	Standard in ivory white, other colours available upon request.
Mounting:	Bulkhead mount with 0.8 inch threaded wing nut (standard accessory).
Cable & Connector	
RF cable:	SMA(M) +10 meter RG58 +TNC(M) (standard) other length (optional)
Pulling strength:	6 Kg @ 5sec. molded plastic on connector end for strain relief.
Connector	SMA(F)
Antenna Element	
Center Frequency:	1575.42 MHz +/-1.023 MHz
Polarization:	R.H.C.P. (Right Handed Circular Polarization).
Absolute Gain @ Zenith:	+5 dBi typical.
Gain @ 10° Elevation:	-1 dBi typical.
Axial Ratio:	3 dB max.
Output VSWR:	1.5 max
Output Impedance:	50 ohm
Low Noise Amplifier	
Center Frequency:	1575.42 MHz
Power Gain:	28db +/-4.5db
Bandwidth:	2 MHz min.
Noise Figure:	1.5 min.

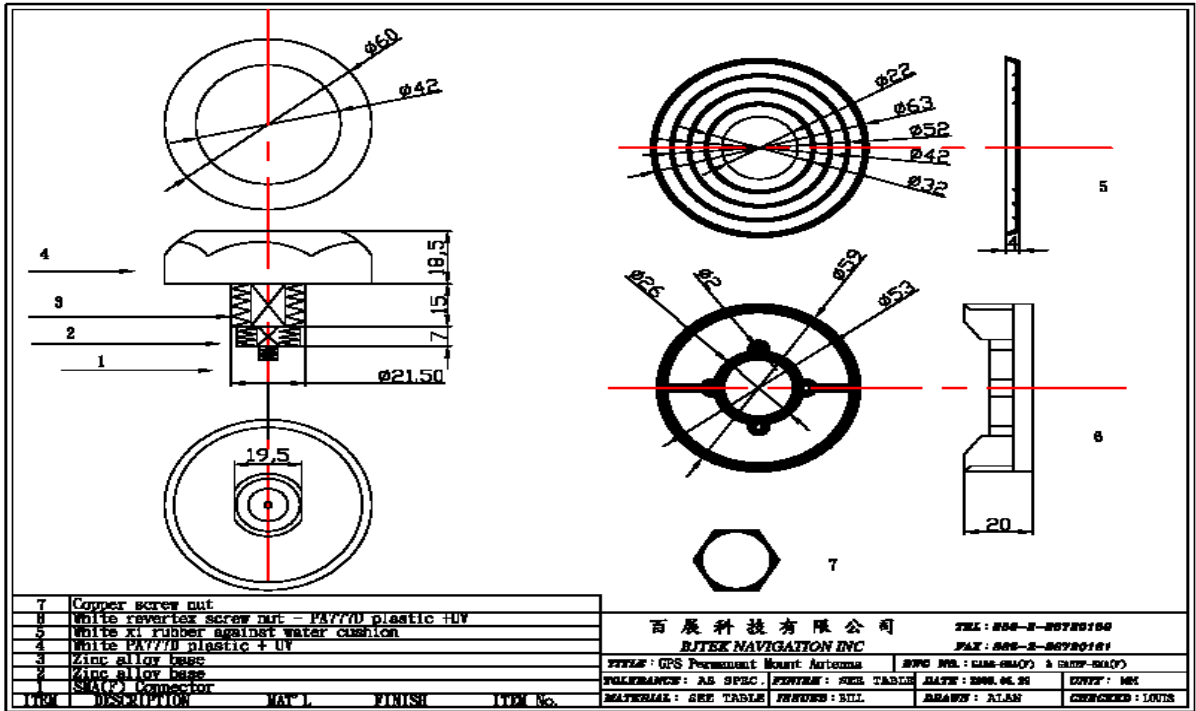
Outer Band Attenuation:	20 dB min. @ Fo +/-50 Mhz.
Supply Voltages:	2.5~5.5V DC.
Current Consumption:	2.5V : 6.6mA Typ. 3V: 8.6mA Typ. 4V: 12.6mA Typ. 5V: 16.6mA Typ.
Output Impedance:	50W ohm
<b>Overall Performance: (antenna element, LNA &amp; coax cable)</b>	
Center Frequency:	1575.42 Mhz.
Gain:	At 90° vertical to sky 30 ± 4.5dBi (cable loss) Note:1 Mounted on the 60mm x 60mm square ground plane
Noise Figure:	2.0 max.
Axial Ratio:	3 dB max.
Bandwidth:	2MHz min.
VSWR:	2.0 max.
Output Impedance:	50W ohm
<b>Environmental</b>	
Operating Temperature:	-40°C~ +85°C.
Storage Temperature:	-50°C~ +90°C.
Relative Humidity:	95% non-condensing.
Water Resistance:	100% waterproof.

## Marine VHF Antenna Specifications: MVA-1400B

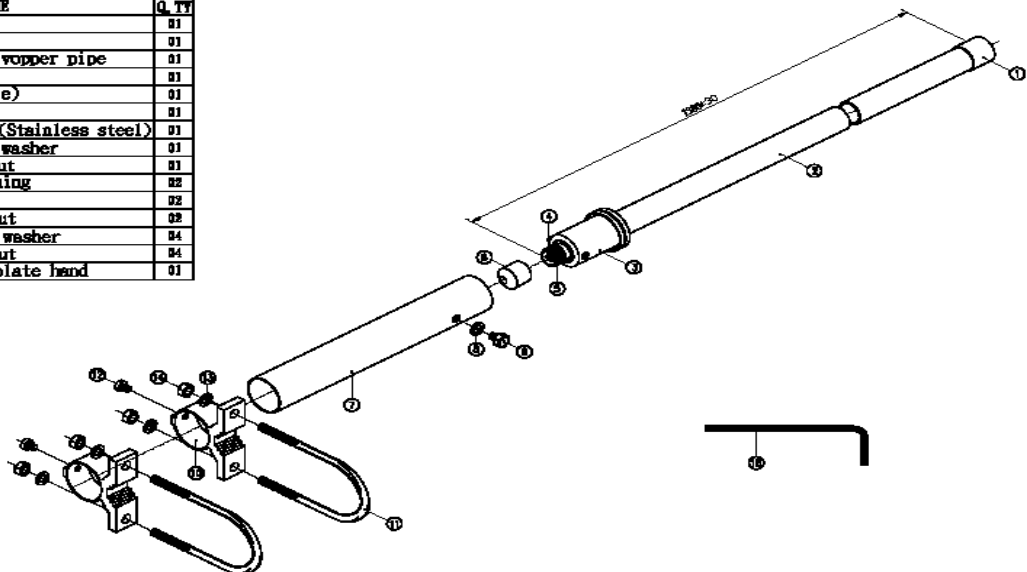
<b>Marinr VHF ANTENNA</b>	
<b>Fr :</b>	<b>156 ~ 165 Mhz</b>
<b>Gain:</b>	<b>3 ~6dB</b>
<b>Configuration :</b>	<b>1/2 wave</b>
<b>VSWR</b>	<b>2.0:1</b>
<b>Impedence:</b>	<b>50 ohm</b>
<b>Connector:</b>	<b>PL259(F) or N (F)</b>
<b>Ground</b>	<b>without</b>
<b>Dimension:</b>	<b>1380mm</b>
<b>Weight:</b>	<b>1Kg</b>

\* This specification is subject to change without prior notice

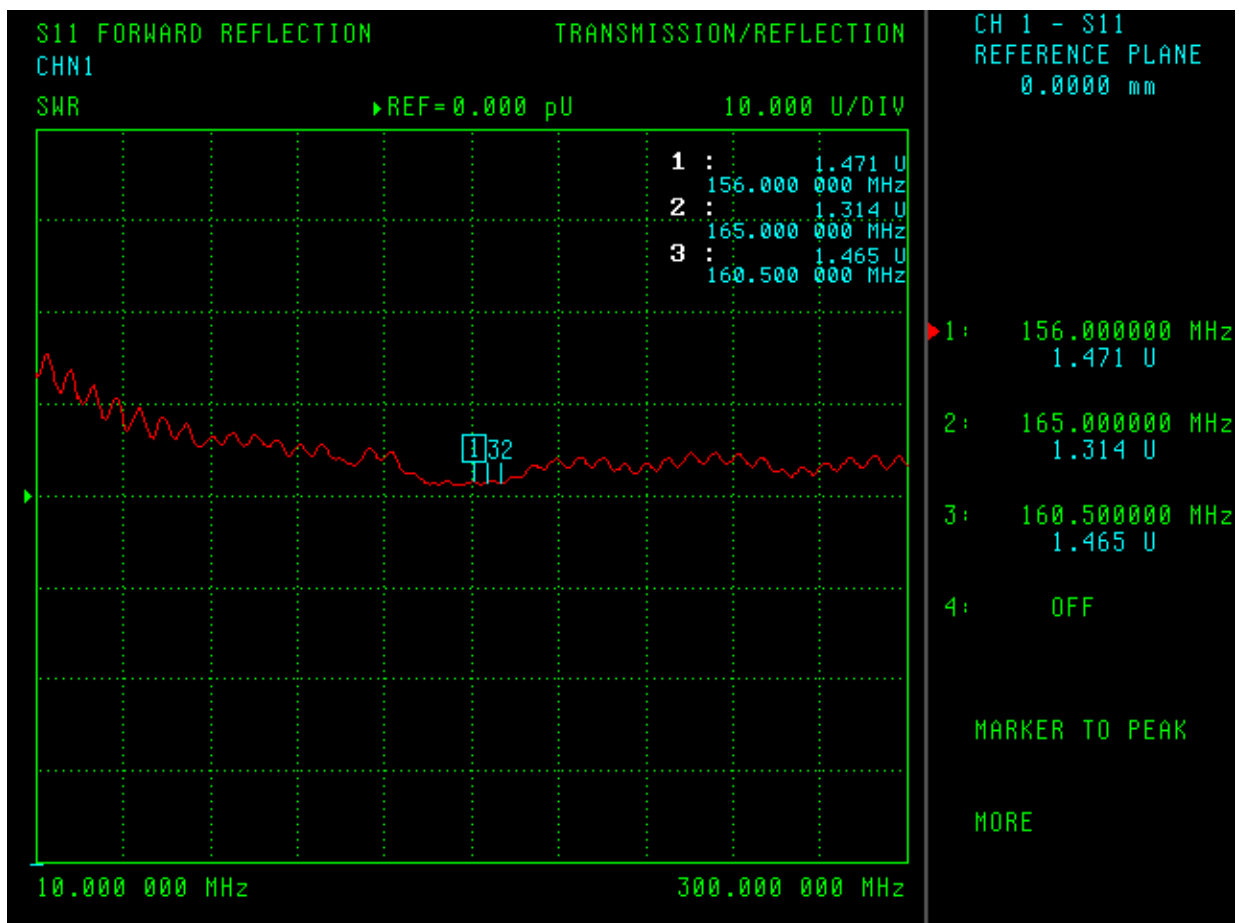
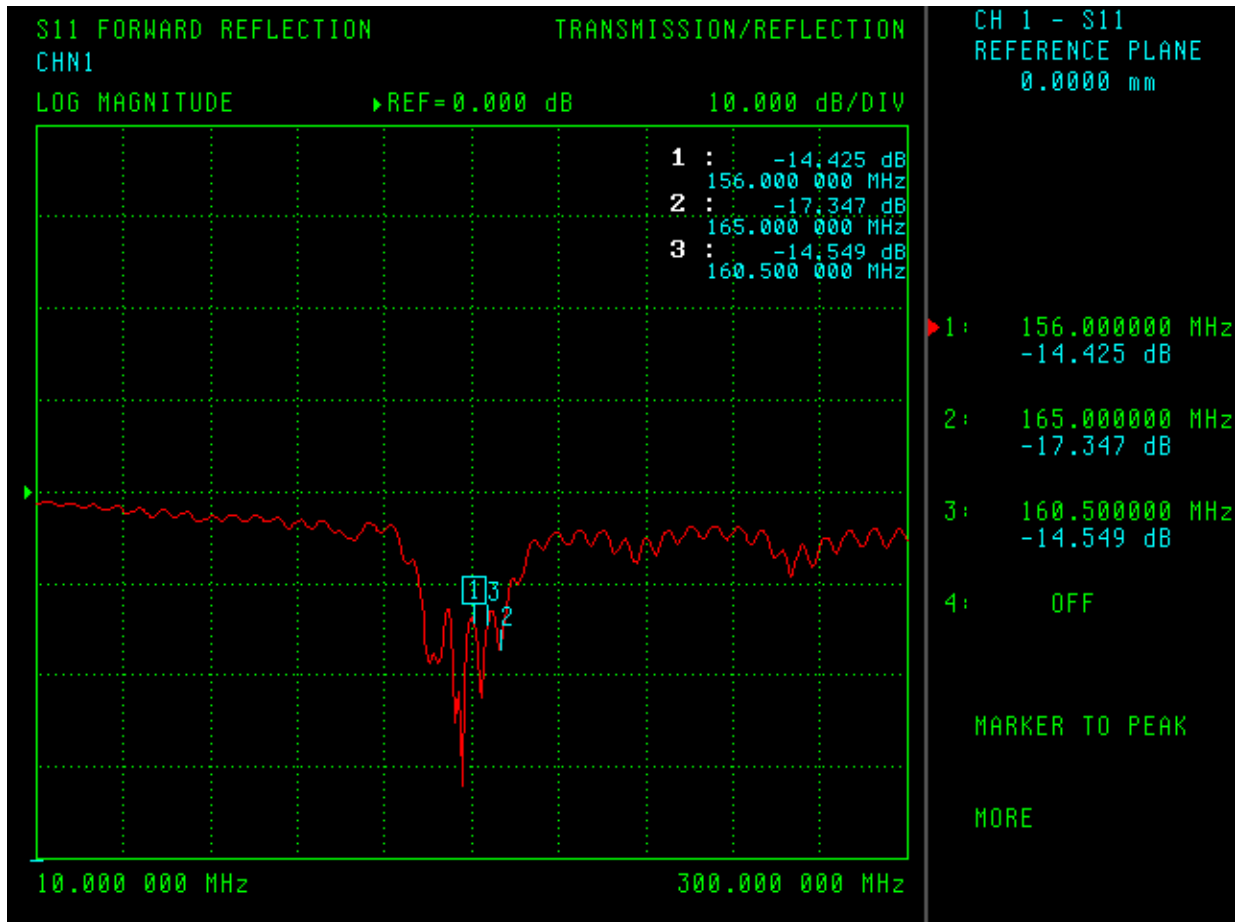
Data Updated: July.07, 2009

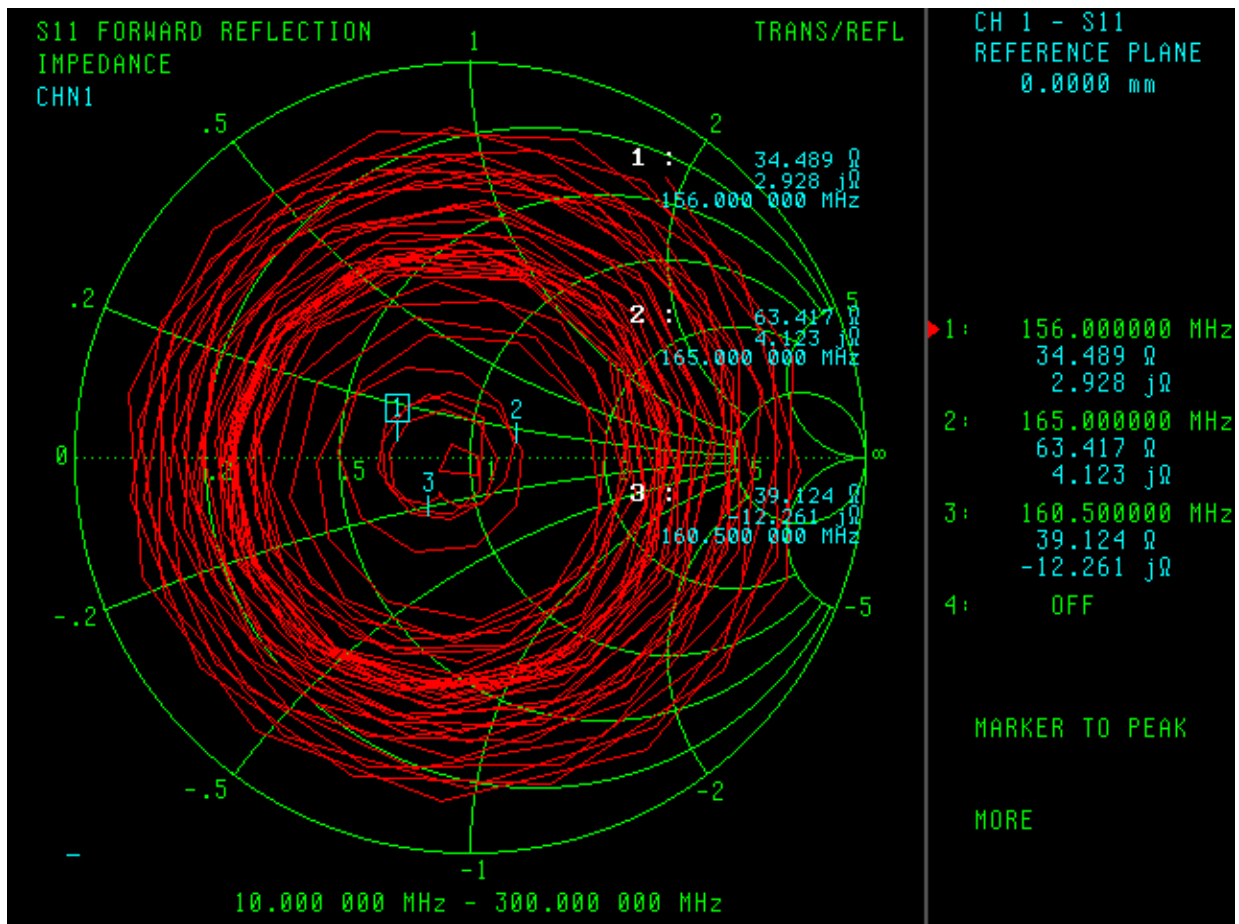


NO.	NAME	QTY
01	Top cap	01
02	Fiberglass	01
03	Connecting vopper pipe	01
04	Screw set	01
05	PL25B(Female)	01
06	Cap	01
07	Copper tube(Stainless steel)	01
08	Round iron washer	01
09	Hexagonal nut	01
10	Clip retaining	02
11	U-Circlip	02
12	Hexagonal nut	02
13	Round iron washer	04
14	Hexagonal nut	04
15	Hexagonal plate hand	01



 Third angle projection	CUSTOMER'S	MODEL	PARTS NUMBER	FREQUENCY	UNIT	SCALE	DATE	VERSION
	TOLERANCE	X.XX±0.15	NAME	156-174MHz	M/N		20090825	1
	SURFACE ROUGHNESS	S	APPARANCE	PARTS NUMBER	APPROVED	CHECKED	DRAWING	DESIGNED





FB6 : SUS Base mounting

