

Marine GPS/GLONASS & VHF/UHF Antenna

MODEL: GUV-650G

FOR Marine VHF Radio & GPS/GLONASS Navigation



GPS Antenna Specifications: GA65G

PHYSICAL CONDITION	
Constructions:	Polycarbonate radome, detachable cable/connector for easy mount, rubber-O-ring between top radome and screw base for waterproof
Dimensions:	60mm(Dia.) x 45mm(H)
Weight:	65grams (w/o cable & connector).
Color:	Standard in ivory white, other colours available upon request.
Mounting:	Bulkhead mount with 0.8 inch threaded wing nut (standard accessory).
Cable & Connector	
RF cable:	TNC(M) +10 meter RG58 +BNC(M) (standard) other length (optional)
Pulling strength:	6 Kg @ 5sec. molded plastic on connector end for strain relief.
Connector	TNC(F) or SMA(F)
Antenna Element	
Center Frequency:	1575Mhz & 1596-1610 MHz
Polarization:	R.H.C.P. (Right Handed Circular Polarization).
Bandwidth	10 MHz min. @S11≤-10 dB, 24MHz typ. @S11<-8dB
Gain @ 10° Elevation:	2 dBi typical.
Axial Ratio:	3 dB max.
Output VSWR:	1.5 max
Output Impedance:	50 ohm
Low Noise Amplifier	
Power Gain:	1570 Mhz : 29db typ 1610 Mhz : 29db typ
Bandwidth:	50 MHz min.
Noise Figure:	1.5 typ
Outer Band Attenuation:	20 dB min. @ Fo +/-50 Mhz.
Supply Voltages:	2.3~5.5V DC.
Current Consumption:	2.5V : 6.6mA Typ. 3V: 10.6mA Typ. 4V: 14.6mA Typ. 5V: 20.6mA Typ.

Output Impedance:	50W ohm
Overall Performance: (antenna element, LNA & coax cable)	
Center Frequency:	1570 ~1610 Mhz.
Gain:	At 90° vertical to sky 30 ± 4.5dBi (cable loss) Note:1 Mounted on the 60mm x 60mm square ground plane
Noise Figure:	2.0 max.
Axial Ratio:	3 dB max.
Bandwidth:	10MHz min.
VSWR:	2.0 max.
Output Impedance:	50W ohm
Environmental	
Operating Temperature:	-40°C~ +85°C.
Storage Temperature:	-40°C~ +90°C.
Relative Humidity:	95% non-condensing.
Water Resistance:	100% waterproof.

Marine UHF/VHF Dual Band Antenna

MODEL: UVA-1400



This document provides a Sleeve Dipole Antenna design .

1.. GENERAL DESCRIPTION

Model No	P/N
	UVA-1400

Below is a table summarizing the antenna design specification.

1.1 Electrical Properties

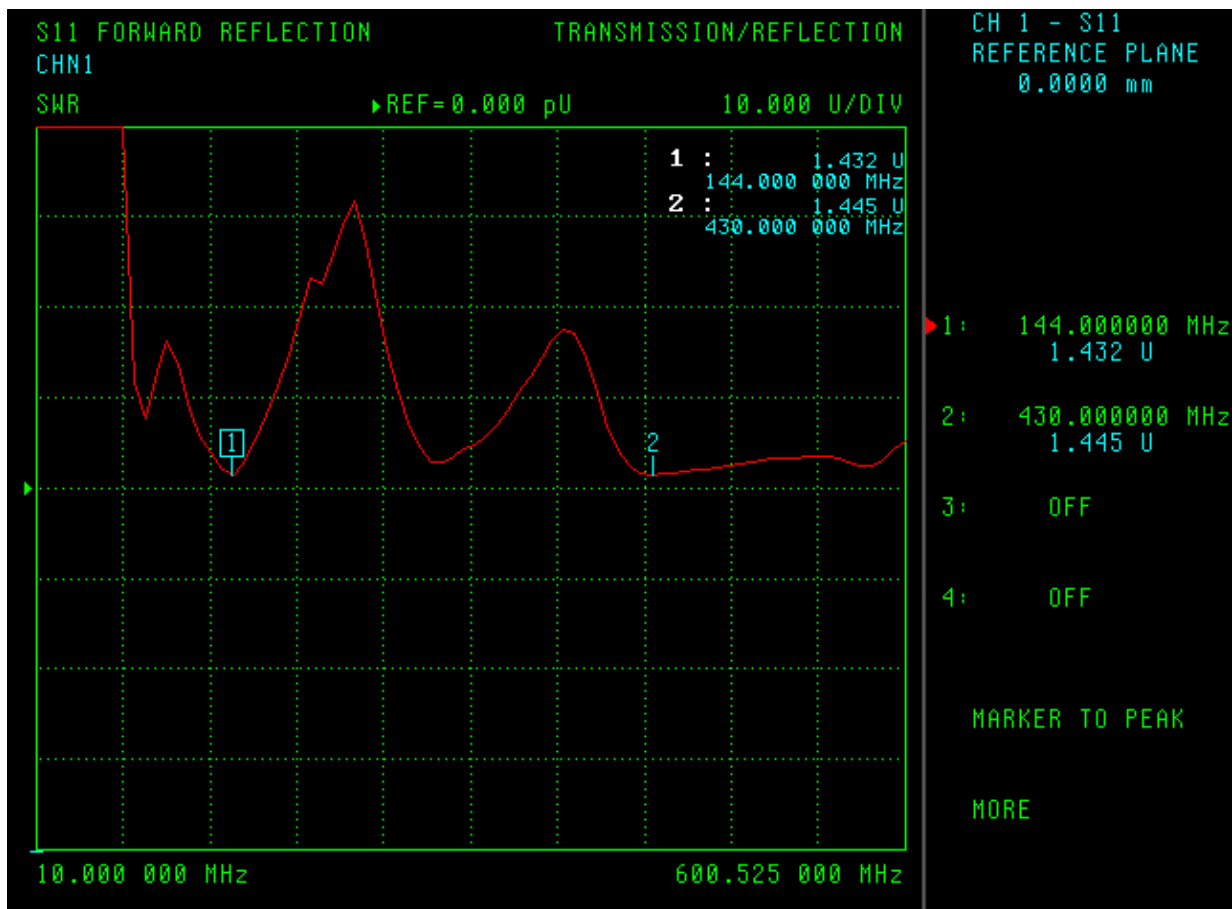
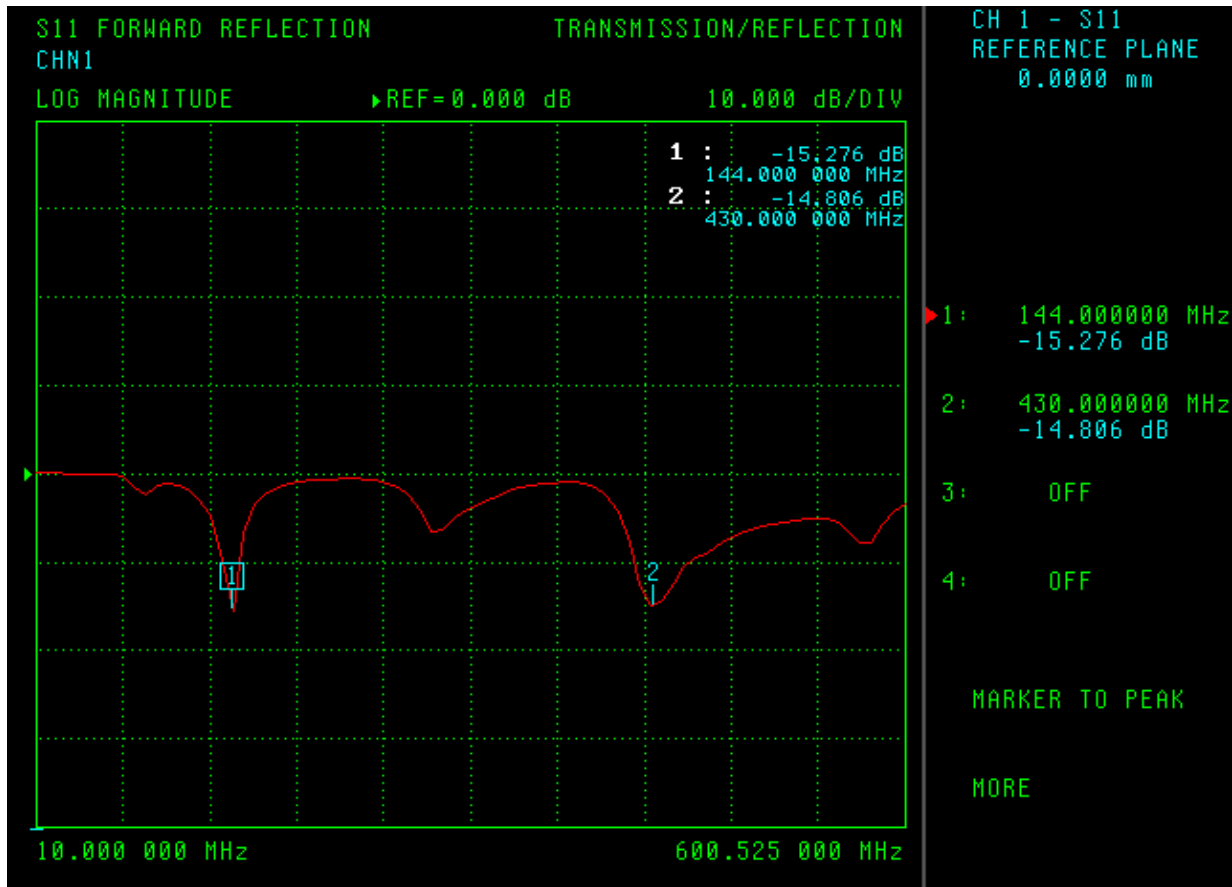
Parameter	Description
Frequency Band	144 / 430 MHz
Nominal Impedance	50 ohm
Polarization	Vertical
V.S.W.R	1.5:1
Power	100W

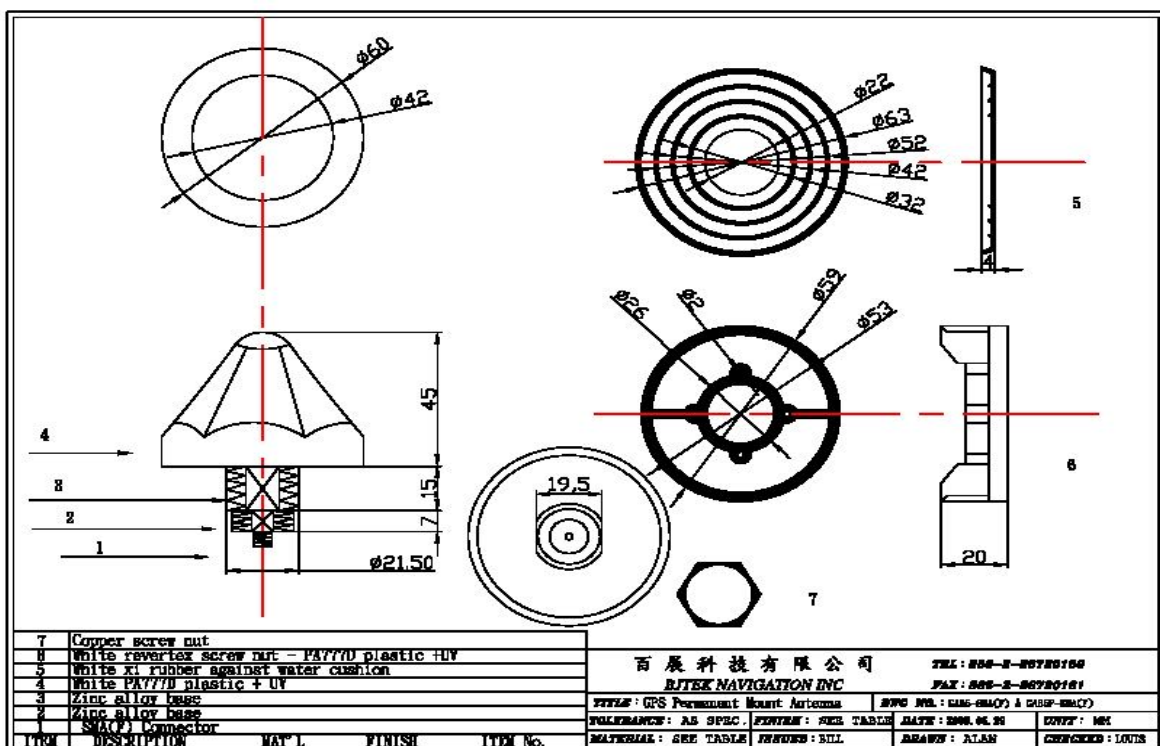
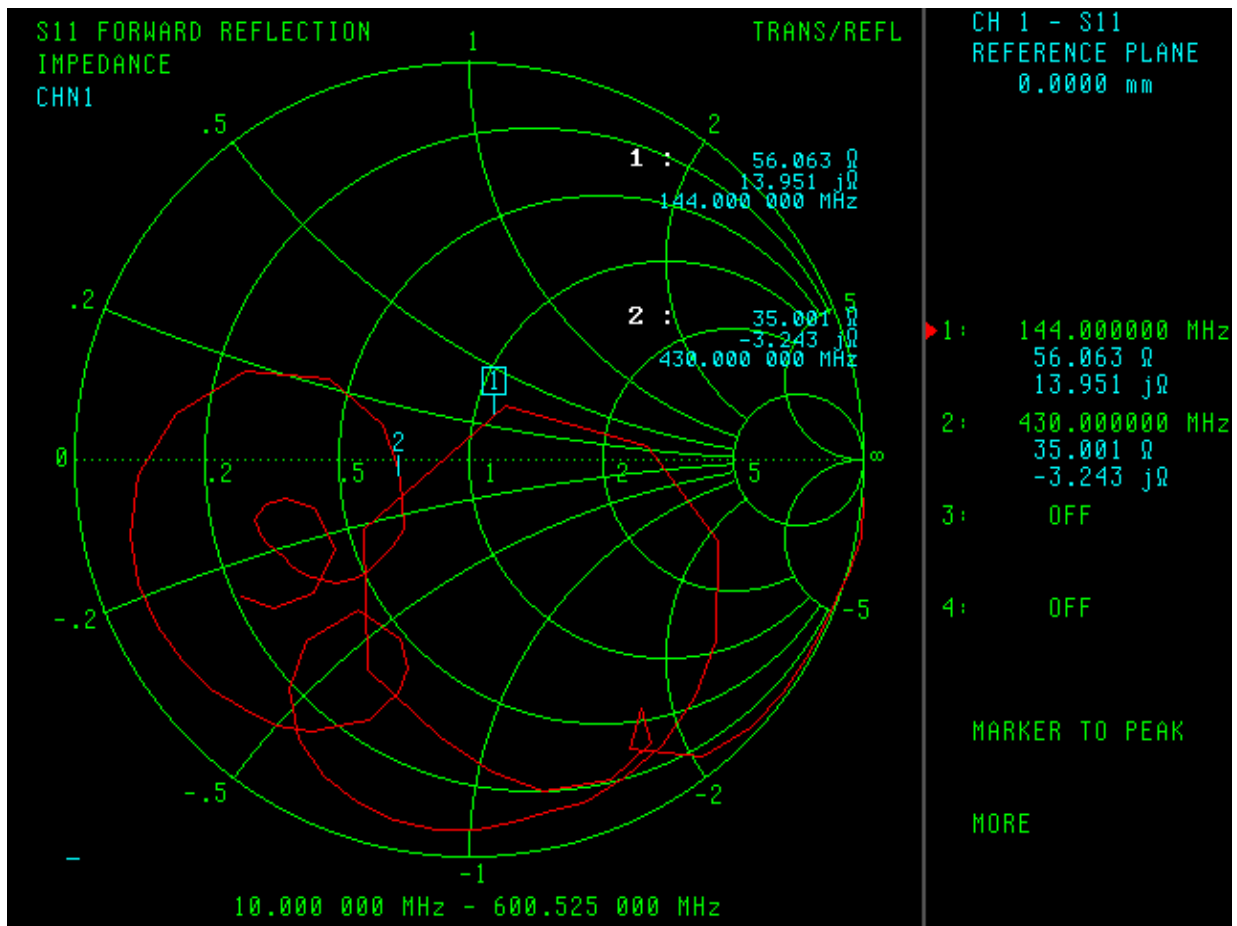
1.2 Mechanical Properties

Parameter	Description
Antenna Type	Omni-Directional Antenna
Material	Fiberglass
Touch Type	Screw Type
Connector Type	PL259 connector (Female)
Antenna Dimensions	1400 mm \pm 10
Antenna Color	White
Operating Temperature Range	-20°C~+60°C
Storage Temperature Range	-30°C~+70°C

NO.	NAME	Q. TY
01	Body	01
02	Cap	01
03	Sty ring(Stainless steel)	01
04	Round iron washer	01
05	Hexagonal nut	01
06	Clip retaining	02
07	U-Circlip	02
08	Hexagonal nut	02
09	Round iron washer	04
10	Hexagonal nut	04
11	Hexagonal plate hand	01
12	PL259 Connector	01

CUSTOMER'S	MODEL	PARTS NUMBER	FREQUENCY	UNIT	SCALE	DATE	VERSION
			144/480 MHz	V/M		20120103	1
TOLERANCE	X. XX40. 15	NAME	PARTS NUMBER	APPROVED	CHECKED	DRAWING	DESIGNED
SURFACE ROUGHNESS	\sqrt{R}	APPEARANCE					





FB6 : SUS Base mounting

