

Marine VHF Antenna

MODEL: MVA-450

Marine VHF Radio & AIS SYSTEM



SPECIFICATION

一. ELECTRONICAL:

二.

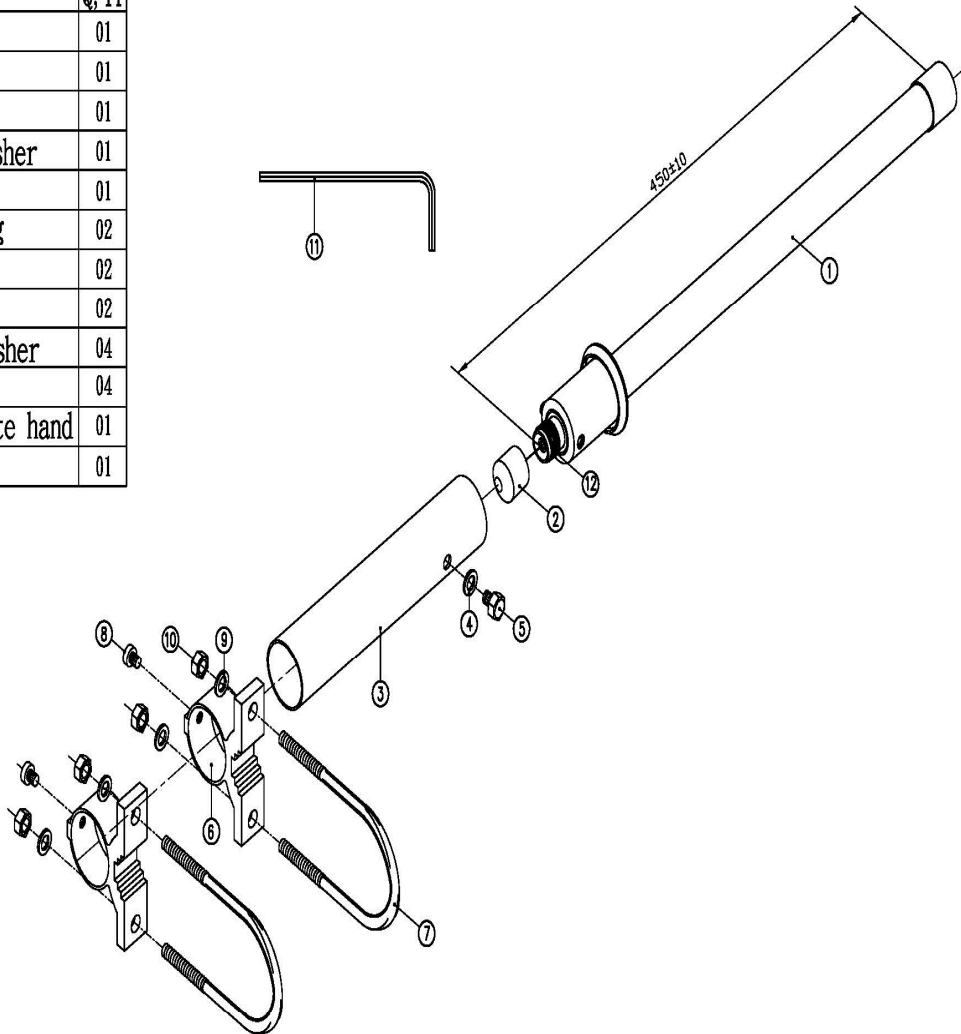
1. ANTENNA TYPE 天線型式: Marine VHF Antenna & Base VHF Antenna
2. FREQUENCY 頻率: 156/165MHz
3. IMPEDANCE 阻抗: 50 Ohm
4. POLARISATION 極: Verticle
5. SWR: 2.0 : 1
6. MAX.POWER 最大功率: 50W


三. MECHANICAL:

1. MATERIALS 材質: Fiber
2. COLOR 顏色: White
3. TOTAL HEIGHT 總長度: 450m/m ± 10
4. WEIGHT 重量:

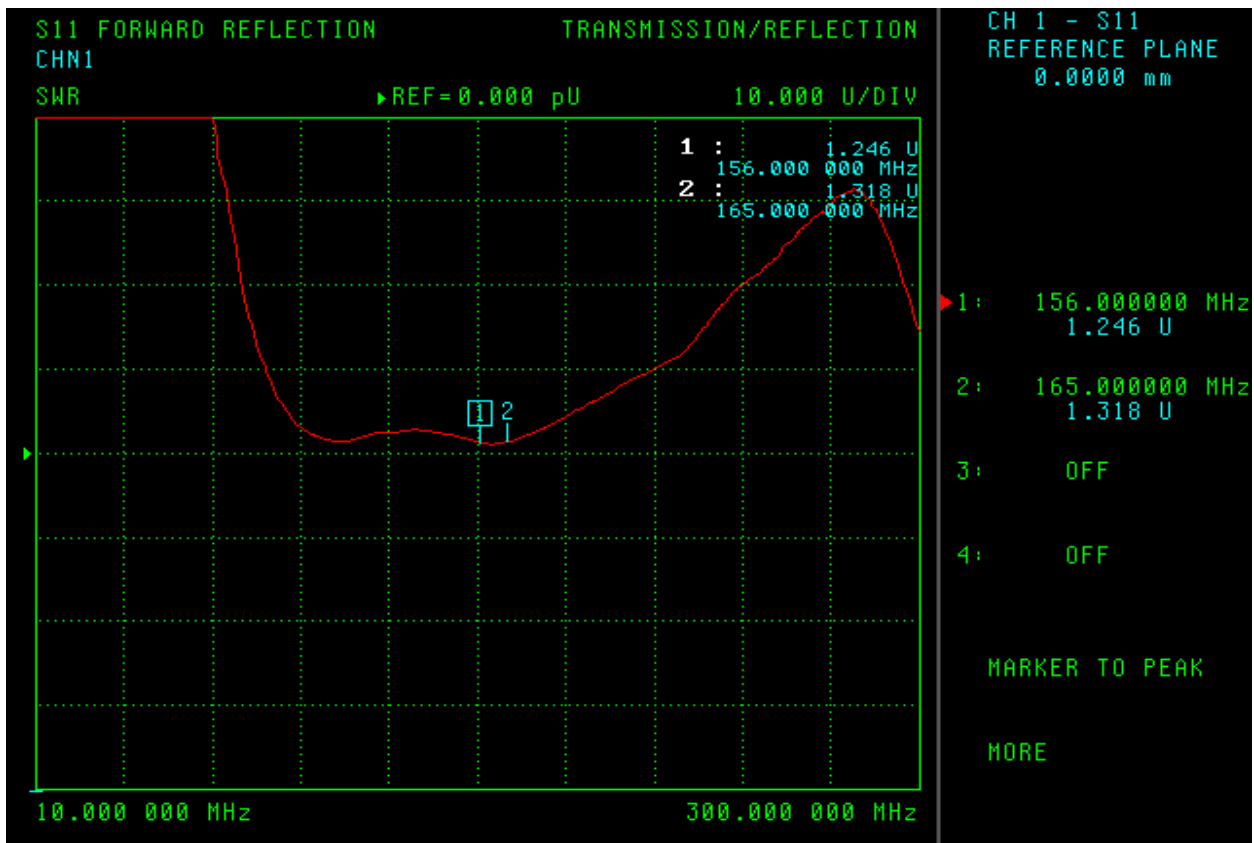
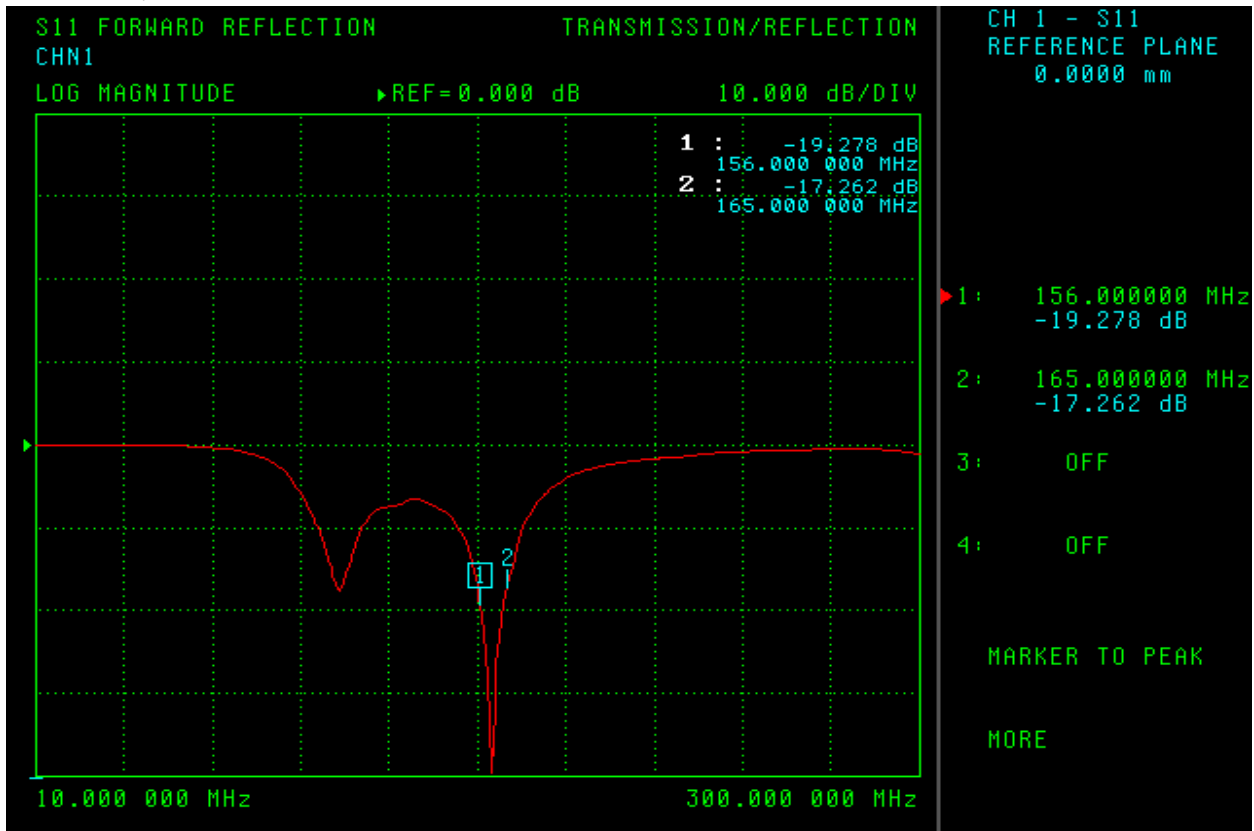
1. APPEARANCE:

NO.	NAME	Q, TY
01	Bady	01
02	Cap	01
03	Tube aluminium	01
04	Round iron washer	01
05	Hexagonal nut	01
06	Clip retaining	02
07	U-Circlip	02
08	Hexagonal nut	02
09	Round iron washer	04
10	Hexagonal nut	04
11	Hexagonal plate hand	01
12	PL259(Female)	01



 Third angle projection	CUSTOMER' S	MODEL	PARTS NUMBER	FREQUENCY	UNIT	SCALE	DATE	VERSION
				156/165MHz	M/M		20111123	1
	TOLERANCE	X. XX±0. 15	NAME	PARTS NUMBER	APPROVED	CHECKED	DRAWING	DESIGNED
	SURFACE ROUGHNESS	$\frac{S}{\sqrt{V}}$	APPEARANCE					

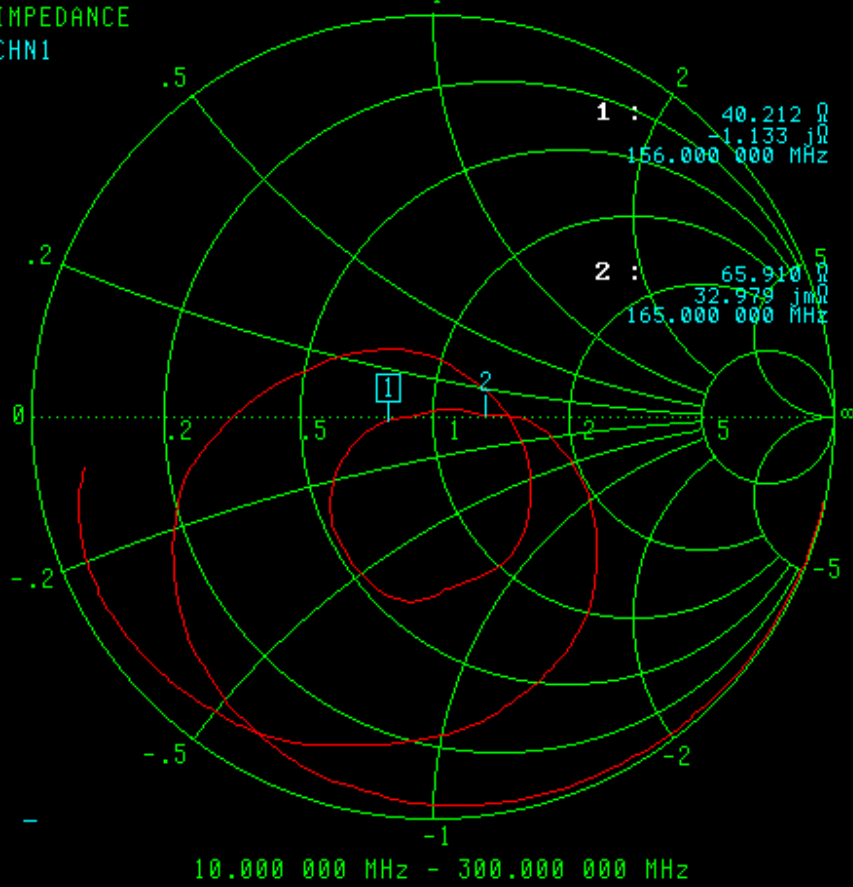
2. FREQUENCY:



S11 FORWARD REFLECTION
IMPEDANCE
CHN1

TRANS/REFL

CH 1 - S11
REFERENCE PLANE
0.0000 mm



- 1: 156.000000 MHz
40.212 Ω
-1.133 $j\Omega$
- 2: 165.000000 MHz
65.910 Ω
32.979 $j\Omega$
- 3: OFF
- 4: OFF

MARKER TO PEAK

MORE