

GSM Antenna

MODEL: TH-80(T)

GSM850/GSM900/DCS1800/PCS1900



1.. GENERAL DESCRIPTION

Model No	P/N
TH-80T	TH80T-SMA90M

Below is a table summarizing the antenna design specification.

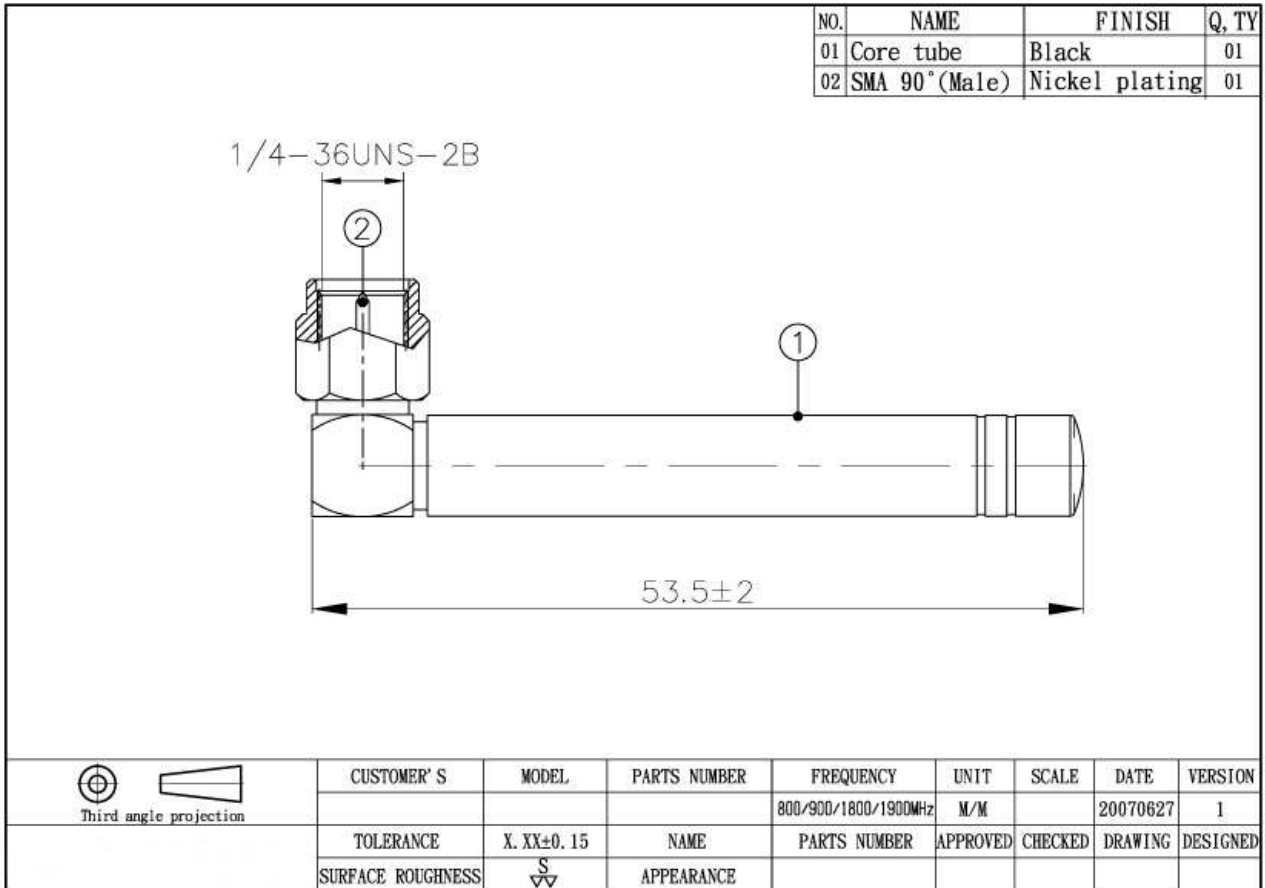
1.1 Electrical Properties

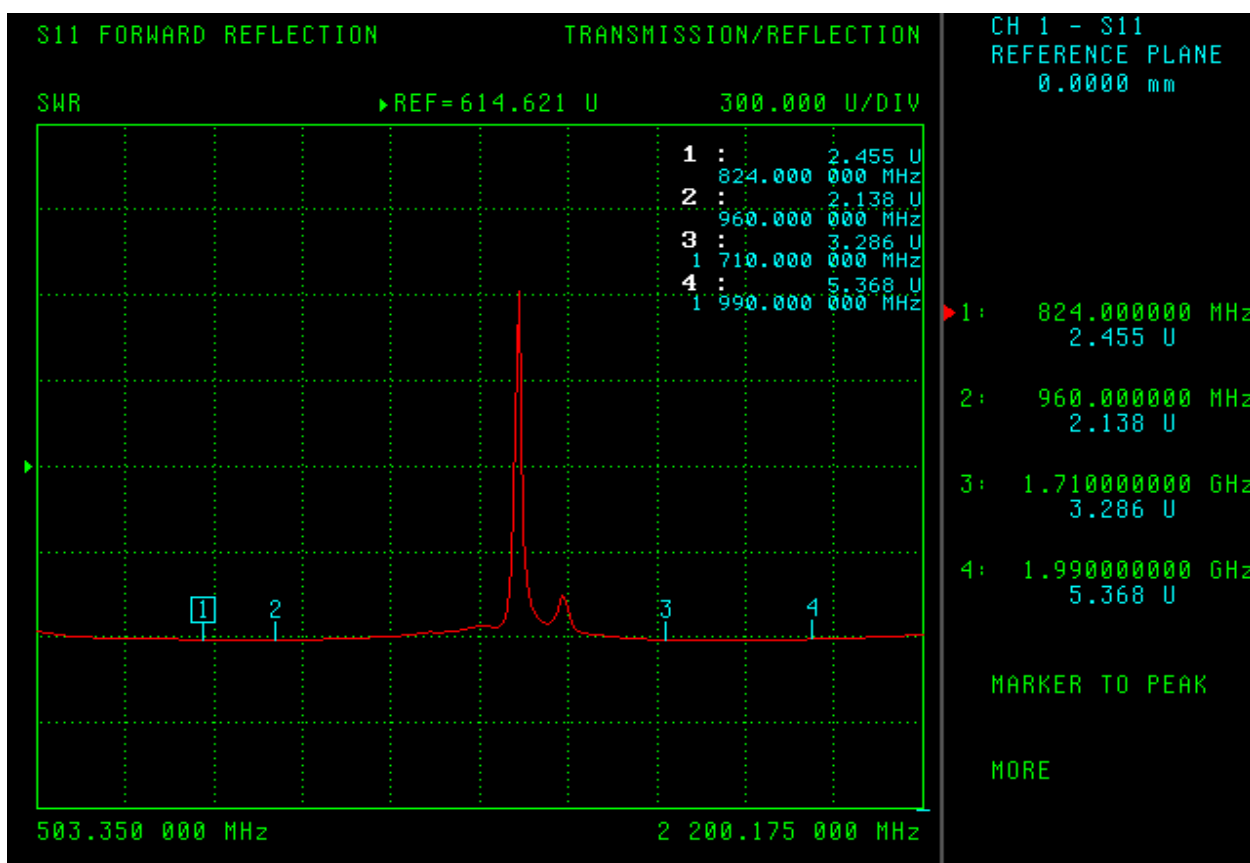
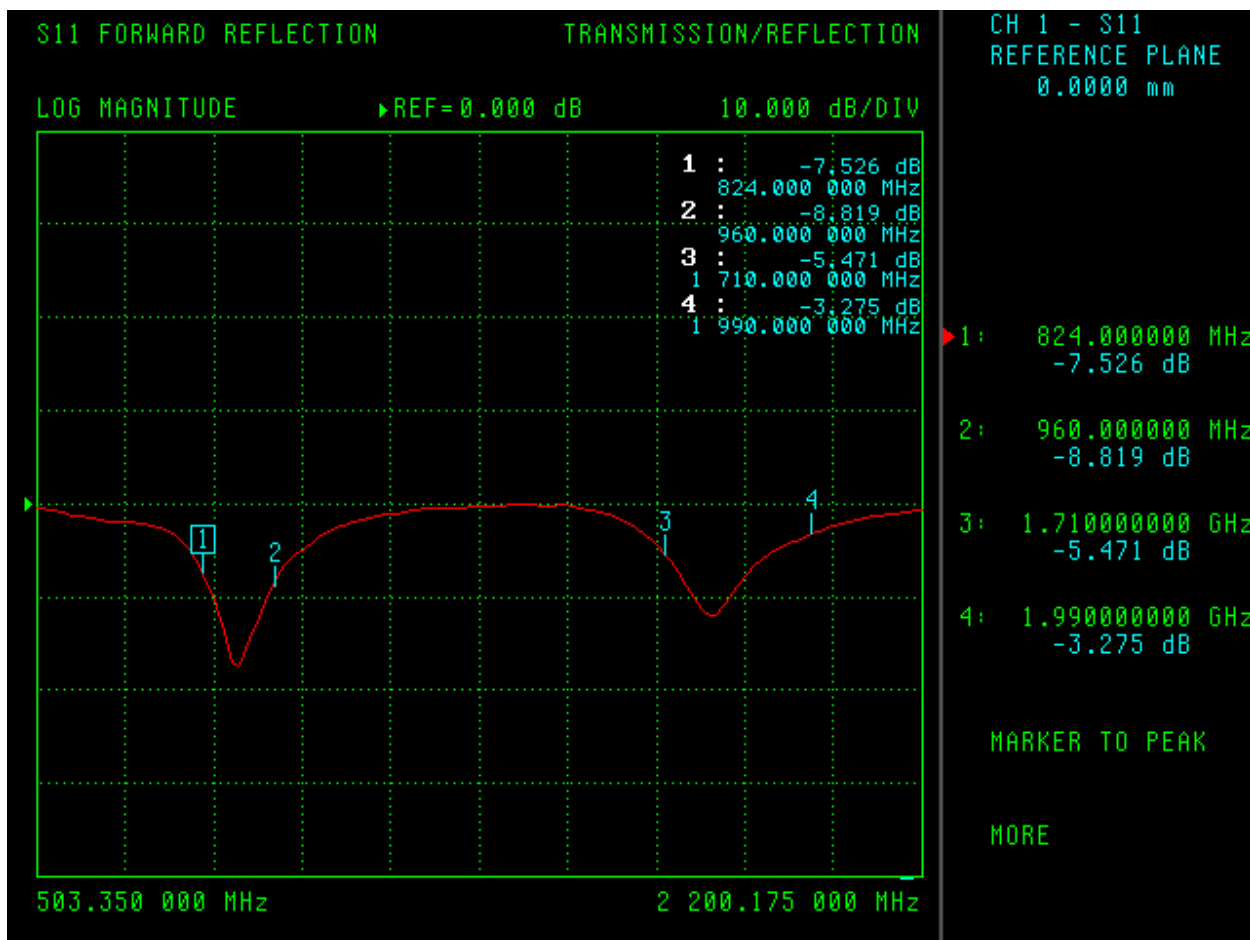
Parameter	Description
Frequency Band	800/900/1800/1900MHz
Nominal Impedance	50 ohm
Polarization	Vertical
Electrical Wave	1 /4 λ
Admitted Power radiation	1W
V.S.W.R	5.5:1
Antenna Average Gain	0 dBi
Note: Gain includes the cable loss	

1.2 Mechanical Properties

Parameter	Description
Antenna Type	External Antenna
Material	PVC
Touch Type	Screw Type
Connector Type	SMA 90° (Male)

Antenna Dimensions	53.5mm±2
Antenna Color	Black
Operating Temperature Range	-20°C~+60°C
Storage Temperature Range	-30°C~+70°C

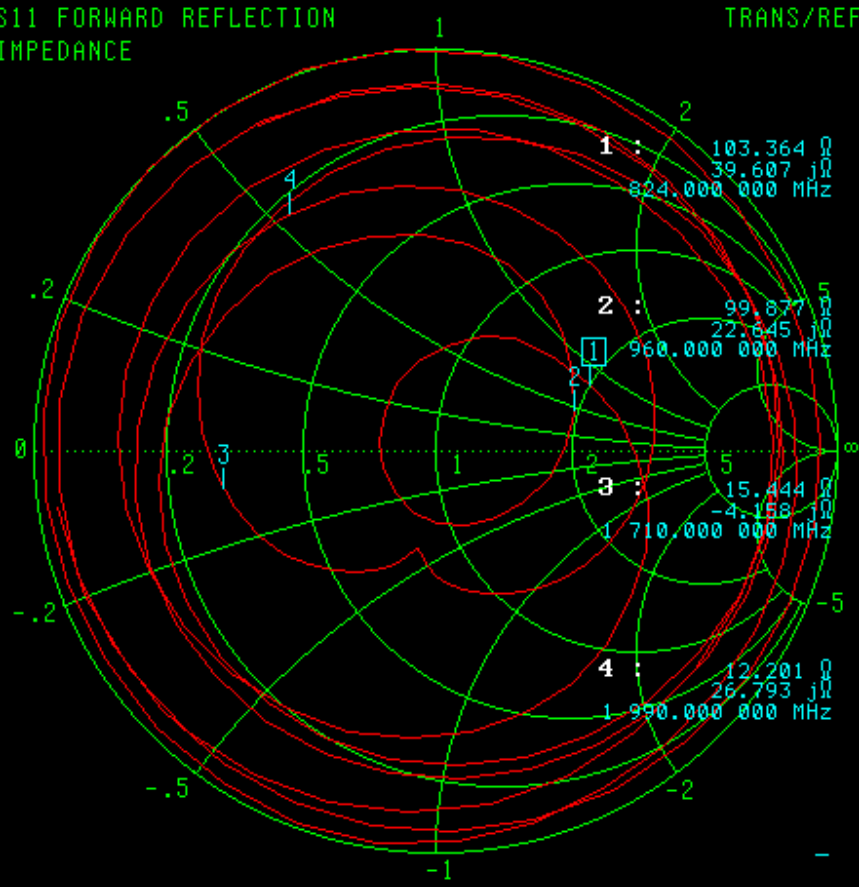




S11 FORWARD REFLECTION
IMPEDANCE

TRANS/REFL

CH 1 - S11
REFERENCE PLANE
0.0000 mm



1 : 103.364 Ω
39.607 jΩ
824.000 000 MHz

2 : 99.877 Ω
22.645 jΩ
960.000 000 MHz

3 : 15.444 Ω
-4.158 jΩ
1 710.000 000 MHz

4 : 12.201 Ω
26.793 jΩ
1 990.000 000 MHz

1: 824.000000 MHz
103.364 Ω
39.607 jΩ

2: 960.000000 MHz
99.877 Ω
22.645 jΩ

3: 1.710000000 GHz
15.444 Ω
-4.158 jΩ

4: 1.990000000 GHz
12.201 Ω
26.793 jΩ

MARKER TO PEAK

MORE

503.350 000 MHz - 2 200.175 000 MHz