

OUTSIDE 330/380 ANTENNA

MODEL: TH-350

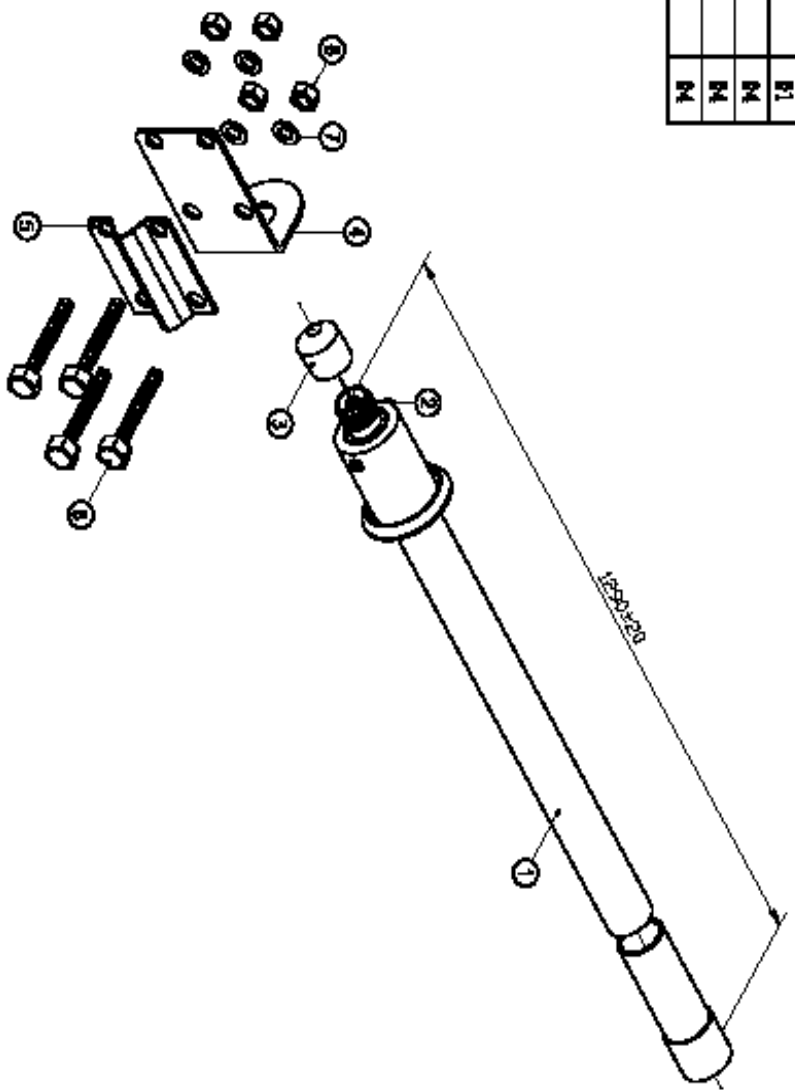


Specifications:

Frequency range:	330~380Mhz
Gain:	5dBi
V.S.W.R:	<2.0
Impedence:	50 ohm
Connector:	N Type Female
Dimension:	1290mm +/-20
Weight:	1Kg
Polarization :	vertical
Power handling :	50W
Colour :	white
Rated wind velocity :	60m/s
Working Temperature :	-40~80°C
Lightning Protection :	Direct Ground

* This specification is subject to change without prior notice

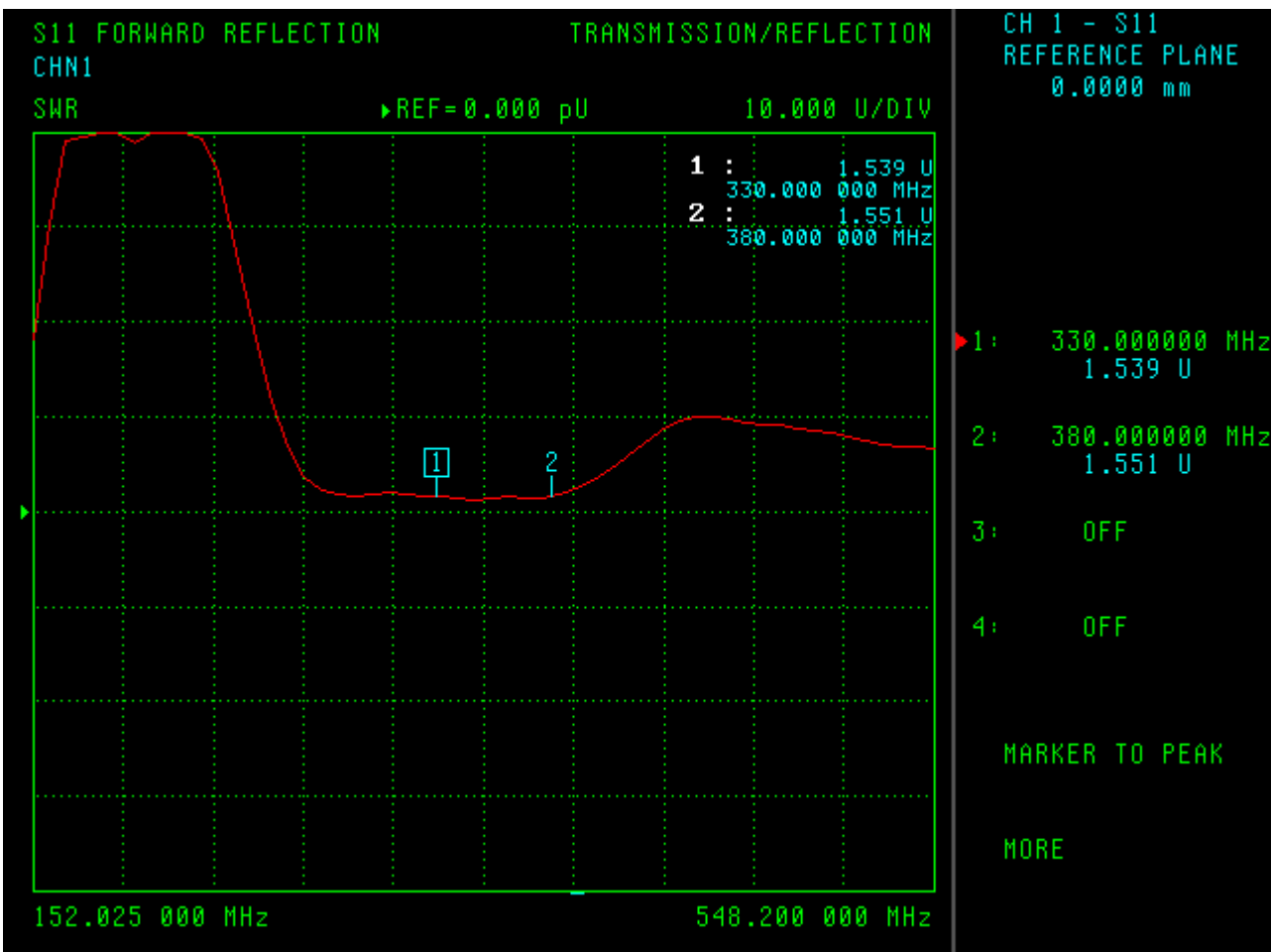
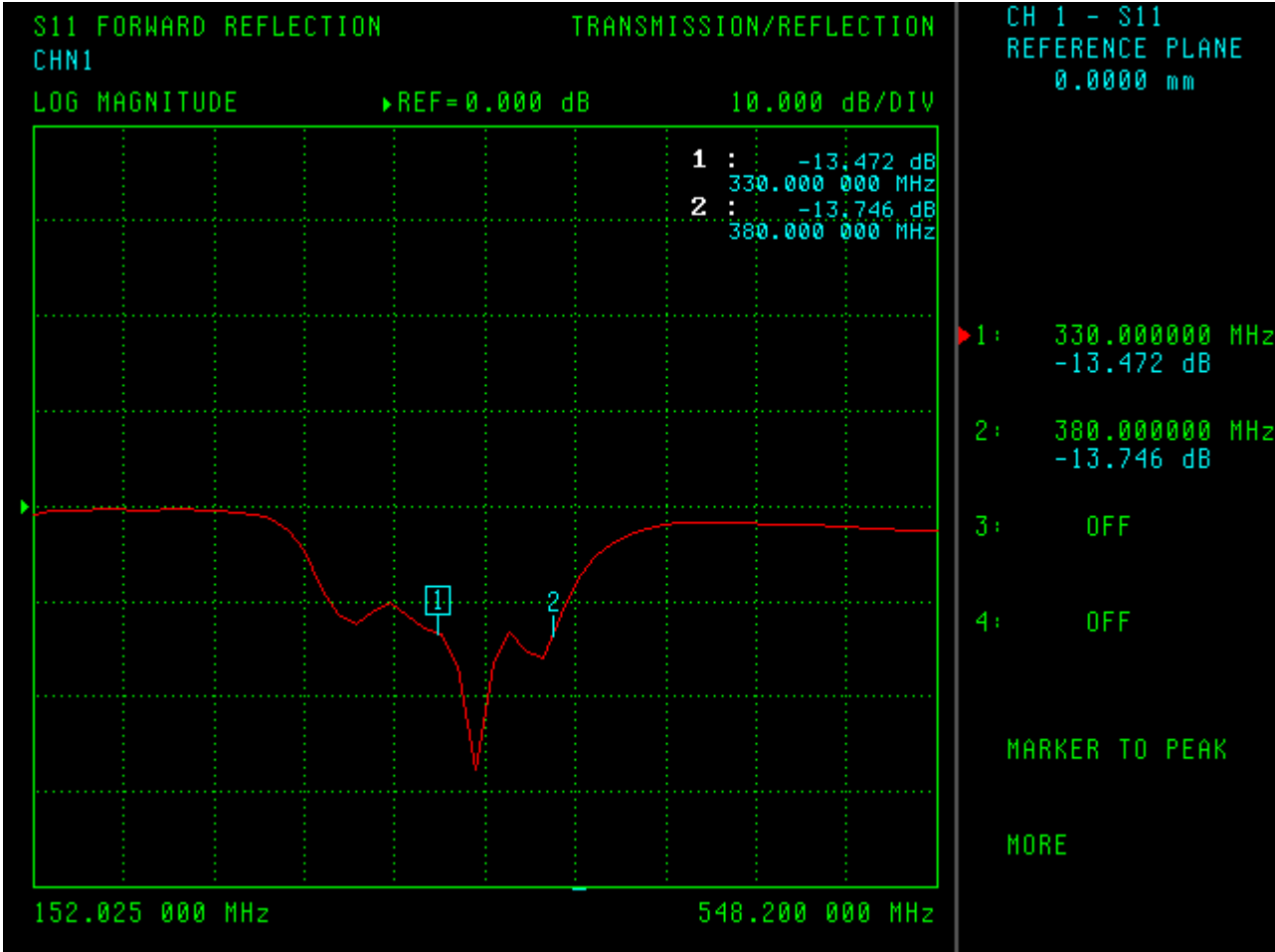
NO.	NAME	Q. TY
01	Body	01
02	N (Female)	01
03	Cap	06
04	L-Holder	01
05	Piece clamping	01
06	Screw set	04
07	Round iron washer	04
08	Hexagonal nut	04



CUSTOMER S	MODEL	PARTS NUMBER	FREQUENCY	UNIT	SCALE	DATE	VERSION
			330/380MHz	V/M		20101008	1
TOLERANCE	X. XX+0. 15	NAME	PARTS NUMBER	APPROVED	CHECKED	DRAWING	DESIGNED
SURFACE ROUGHNESS	\sqrt{R}	APPEARANCE					



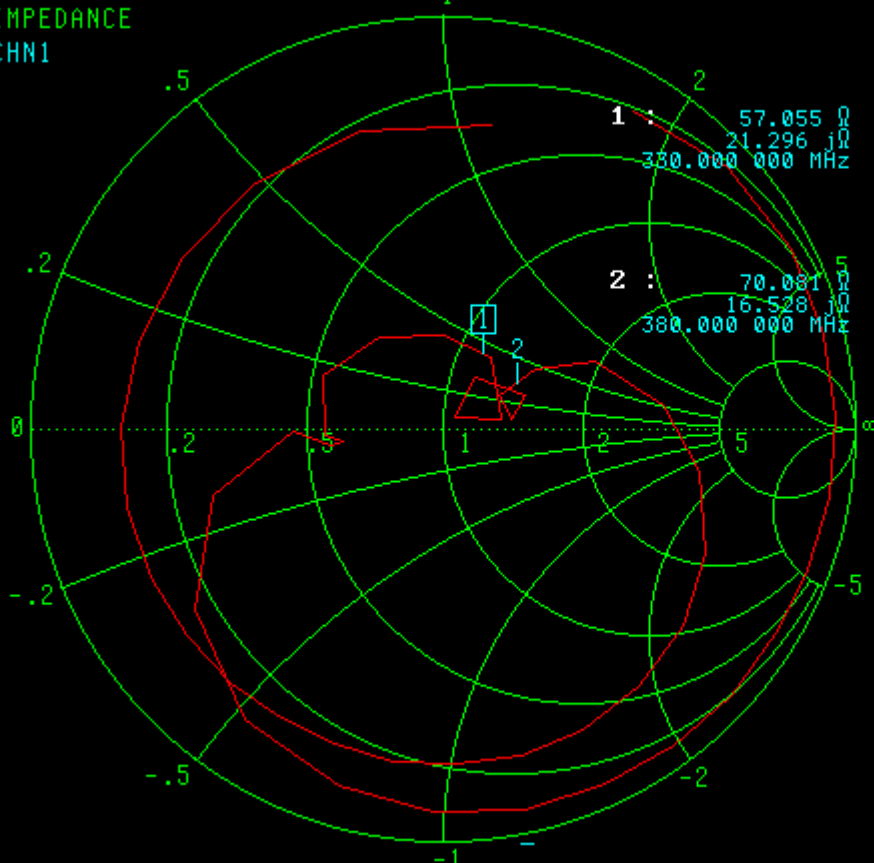
Third angle projection



S11 FORWARD REFLECTION
IMPEDANCE
CHN1

TRANS/REFL

CH 1 - S11
REFERENCE PLANE
0.0000 mm



1 :
57.055 Ω
21.296 $j\Omega$
330.000 000 MHz

2 :
70.081 Ω
16.528 $j\Omega$
380.000 000 MHz

1: 330.000000 MHz
57.055 Ω
21.296 $j\Omega$

2: 380.000000 MHz
70.081 Ω
16.528 $j\Omega$

3: OFF

4: OFF

MARKER TO PEAK

MORE

152.025 000 MHz - 548.200 000 MHz